

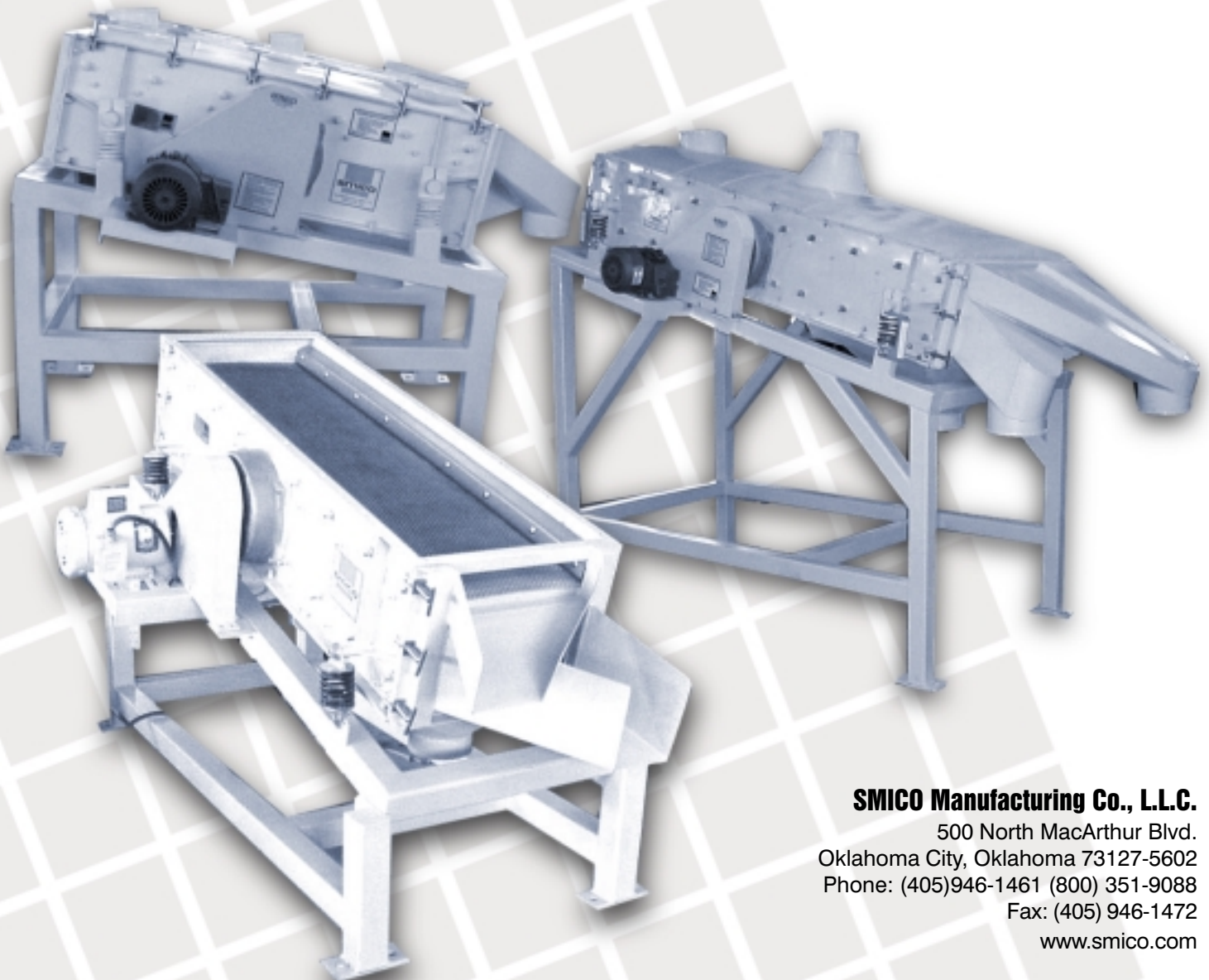
*New Fully Engineered*

# VIBROSET

## VIBRATING SCREENER

SMICO vibrating screeners provide Low Operating Cost, Excellent Product Classification and High Production with Minimum Maintenance.

- Rugged - Engineered for a long service life with reinforced heavy sheet steel construction
- Dependable - Sealed for Life grease lubricated two bearing centroid mounted drive
- Highly Efficient - Conveying motion is parallel to sides for minimum degradation, designed to run at 900 - 1750 RPM, producing up to 5Gs acceleration.
- Flexibility - Amplitude adjustment of 4 settings range from 0 to 1/4" allows easy tuning to your application
- Smooth - Coil spring isolation and the "Vibroset™" positive eccentric drive delivers a smooth gyroscopic action
- Versatile - Custom fit to your application with our many special features, or stock machines for immediate installation



**smico**

**MADE IN USA**

**SMICO Manufacturing Co., L.L.C.**

500 North MacArthur Blvd.  
Oklahoma City, Oklahoma 73127-5602

Phone: (405)946-1461 (800) 351-9088

Fax: (405) 946-1472

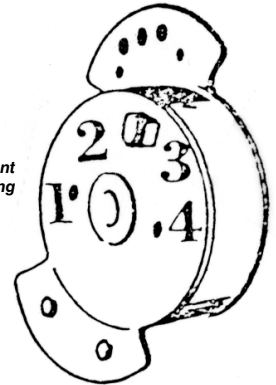
[www.smico.com](http://www.smico.com)

## SPECIFICATIONS:

### Typical Applications:

- Food Ingredients
- Feed Pellets / Ground Feed
- Plastics – from plastic trash to plastic resin beads
- Chemicals – from acids to pellets to fine meshes
- Recycling – glass / plastic / rubber
- Sand / Foundry Sand
- Asphalt Ingredients – scalping to multi-grade sorting
- Cement
- Feeders
- Slurries - Coarse filtering to liquid / solids separations

Simple stroke adjustment  
similar to a QD Bushing



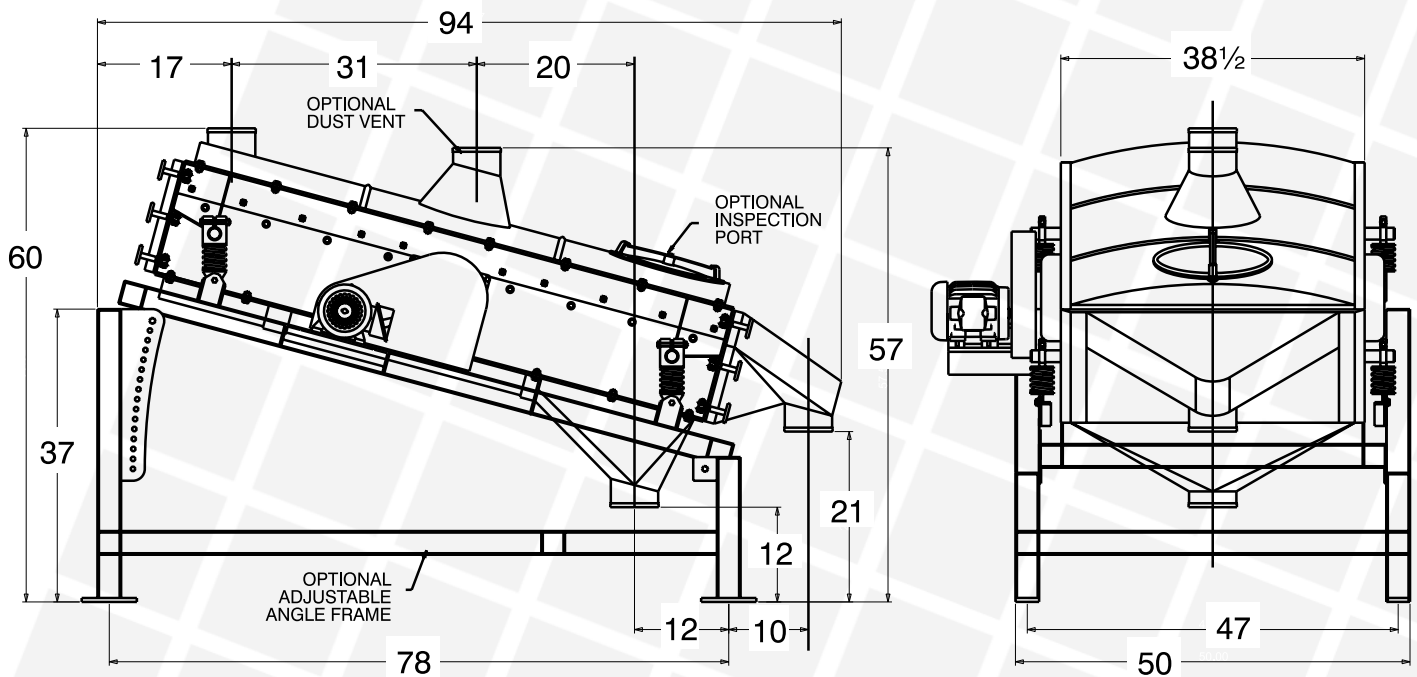
### Options:

- |                         |                             |                         |
|-------------------------|-----------------------------|-------------------------|
| ■ Self Cleaning Screens | ■ Screen Washers            | ■ Perforated Plates     |
| ■ Aspirators            | ■ Rubber Isolators          | ■ Piano Wire            |
| ■ Enclosures            | ■ Poly Decks                | ■ Woven Wire            |
| ■ Legs                  | ■ Inspection Ports          | ■ Weir Feeders          |
| ■ Cable Suspension      | ■ Pretensioned Decks        | ■ Spouts/Chutes         |
| ■ Wear Liners           | ■ High Temperature Features | ■ Hoppers               |
| ■ Feed Boxes            | ■ Quick Release Covers      | ■ Adjustable Angle Base |

### Sizes:

- 12" to 36" wide by 3' to 7' long
- One to three screen decks
- 60mm FAG bearings

Typical Print  
3' x 6' One Deck - 15° degrees



Model 366-1D-EV