

Fully Engineered

SCREENETTE

VIBRATING SCREENER

smico

MADE IN USA

SMICO vibrating screeners provide Low Operating Cost, Excellent Product Classification and High Production with Minimum Maintenance.

- CONVENIENT-Table top size complete with motor control and wall plug for standard 115V, 1/60 Electric Power
- DEPENDABLE-Low maintenance bottom mounted vibrating motor with sealed bearings
- HIGHLY EFFICIENT-Conveying motion is parallel to the sides for minimum degradation. 3600 RPM drive gives high throughput of passing material
- FLEXIBILITY-Simple adjustments allow tuning the amplitude and operating angle to your application
- SMOOTH-Vibration is isolated by coil springs and rubber tipped legs
- RUGGED-Engineered for a long service life with sheet steel body and square tube frame



SMICO Manufacturing Co, L.L.C.

500 North MacArthur Blvd.
Oklahoma City, Oklahoma 73127-5602
Phone: (405)946-1461 (800)351-9088
Fax: (405)946-1472

www.smico.com

SPECIFICATIONS:

TYPICAL APPLICATIONS:

- ◆ Pilot Plants
- ◆ Laboratories
- ◆ Metal Powders
- ◆ Spices
- ◆ Sugar
- ◆ Clay Powder
- ◆ Chemicals
- ◆ Food Ingredients
- ◆ Plastics



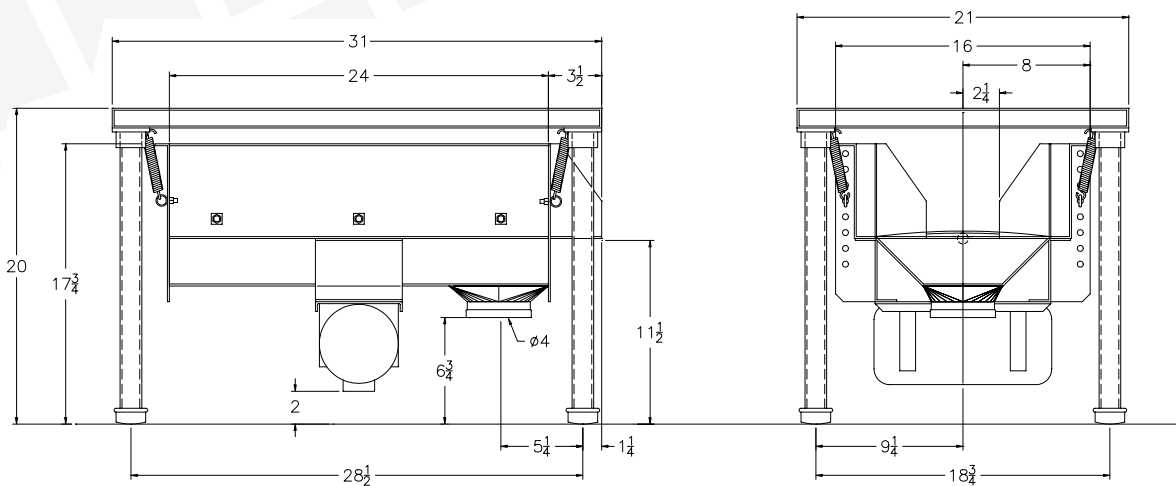
OPTIONS:

- ◆ The Screenette Series is produced in quantity to achieve a low manufacturing cost. No options are standard. Consult the factory for your special requirements.

SIZES:

- ◆ 12" Wide By 2' Long
- ◆ 18" Wide By 4' Long

Typical Print
1' x 2' One Deck -5 Degrees



Model 122-1D-ETT