



**smico**



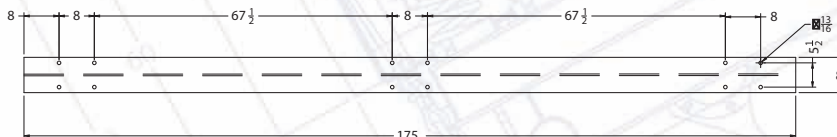
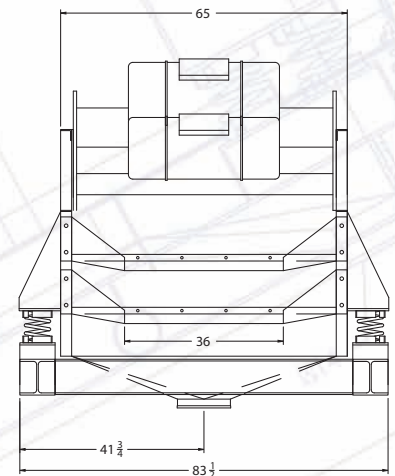
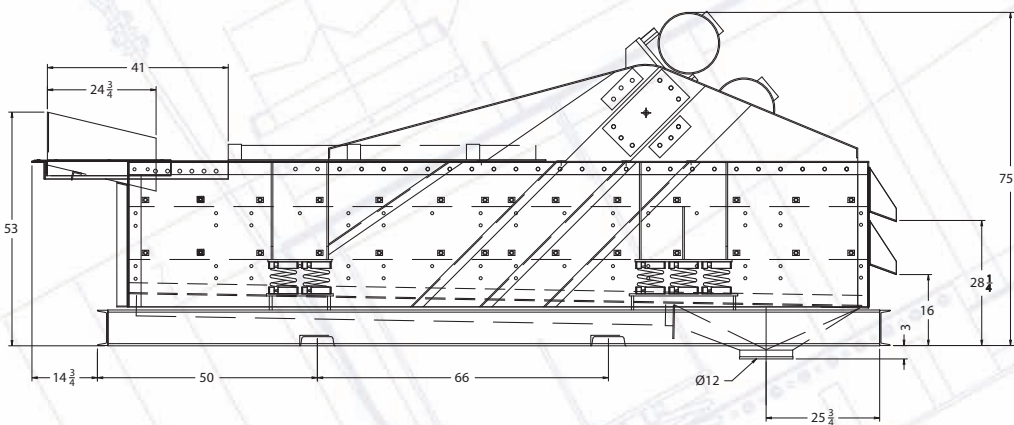
# HORIZONTAL VIBRATING SCREENER

**SMICO MANUFACTURING COMPANY** has been providing 100% American made screening equipment since the 1930's. The original centroid mounted, positive eccentric drives are the mainstay of the line with several other actions added to fulfill the company goal of providing the best screening motion for every screening application, wet or dry.

SMICO screening equipment is routinely custom fit to both the application and the installation. We can provide inlets to match feed systems, outlets to match take away systems, legs or cables to meet height requirements, and even retrofit our screens to replace old screeners which have been discontinued.

**SMICO vibrating screeners provide Low Operating Cost, Excellent Product Classification and High Production with Minimum Maintenance.**

- Versatile – Our low head design and many special features allow custom fitting to your application and installation.
- Made with pride in Oklahoma.
- Rugged – Engineered for a long service life with reinforced heavy steel sheet or plate construction.
- Dependable -- Inertia coupled, grease lubricated top or bottom mounted linear drive.
- Highly efficient – Linear conveying motion provides minimum degradation and excellent uphill operation for liquid/solid separation. Designed to produce up to 6Gs acceleration.
- Flexibility – Amplitude adjustment with stackable weights allows easy tuning to your application.
- Smooth – Coil spring isolation delivers a smooth action with a minimum of force transfer.





**smico**



# HORIZONTAL VIBRATING SCREENER

## Typical Applications:

- Cement
- Feeders/grizzlies
- Slurries – Coarse filtering to 90 micron liquid / solid separation
- Aggregates

### SMICO Manufacturing Co., Inc.

Oklahoma City, OK 73127

P: 405-946-1461 F: 405-946-1472

E: sales@smico.com W: www.smico.com

## Options:

- Self Cleaning Screens
- Aspirators
- Enclosures
- Cable Suspension
- Legs / Skids
- Rubber Isolators
- Pretensioned Decks
- Wear Liners
- Poly Decks
- Quick Release Covers
- Feed Boxes
- Weir Feeders
- Piano Wire Screens
- Perforated Plats
- Woven Wire Screens
- Spouts / Chutes
- Inspection Ports
- High Temperature Features
- Hoppers / Tanks
- Adjustable Angle Base
- Screen Washers

## Sizes:

- 18" to 60" wide by 6' to 16' long
- One to three screen decks

