



**smico**



BASE MOUNT (4)  
(SEE SPECIFICATIONS)  
BY SMICO

POSITION OF MOTOR  
OPTIONAL ABOVE OR BELOW



SMICO MANUFACTURING COMPANY has been providing Screening Equipment since the 1930's. The original centroid mounted, positive eccentric drives are the mainstay of the line with several other actions added to fulfill the company goal of providing the best screening motion for every screening application, wet or dry.

SMICO Screening Equipment is routinely custom fit to both the application and the installation. We can provide inlets to match feed systems, outlets to match take away systems and legs or cables to meet height requirements.

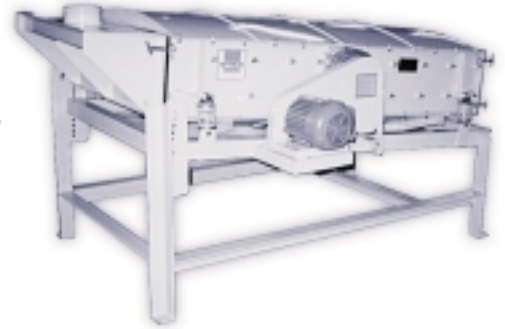
The following pages contain brief descriptions of the various models of SMICO screeners.

**Up  
DOWN  
all a Round**

## **VIBROSET™**

Two bearing, positive eccentric, adjustable stroke drive with sealed for life bearings. Sizes 12" to 36" wide by 3' to 7' long.

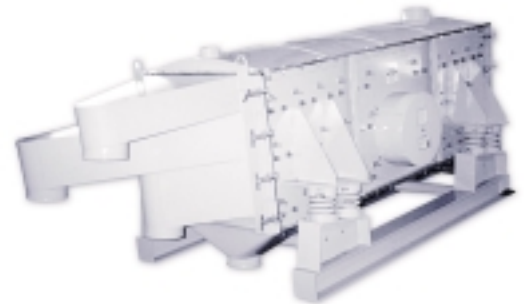
*Used for Food, Chemicals, Plastic, Cement and light Aggregate.*



## **GYRETTE™**

Two bearing, positive eccentric, preset stroke drive with shaker service, spherical, grease lubricated bearings. Sizes 36" to 96" wide by 6' to 24' long.

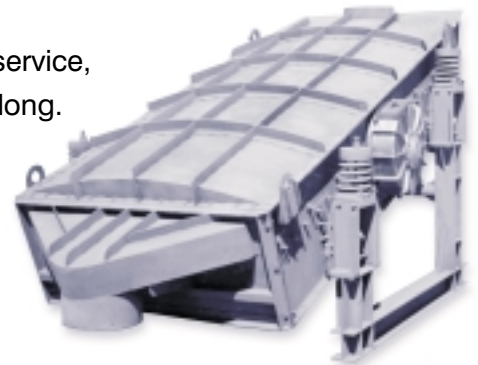
*Used for Food, Chemicals, Oilseed, Plastics, Cement, Mining, Aggregate and Asphalt Plants, Industrial Process.*



## **GYROSET™**

Two bearing, positive eccentric, adjustable stroke drive with shaker service, spherical, oil lubricated bearings. Sizes 36" to 96" wide by 6' to 24' long.

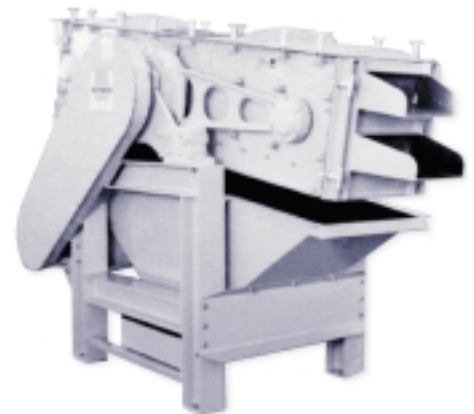
*Used for Chemicals, Plastics, Cement, Mining, Aggregate and Asphalt Plants.*



## **SELECTRO™**

Four bearing, positive eccentric, adjustable stroke drive with shaker service, spherical oil lubricated bearings. Adjustable operating angle. Sizes 12" to 60" wide by 3' to 12' long.

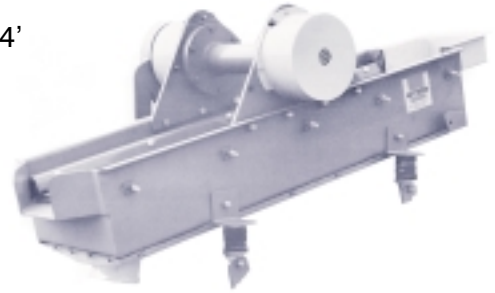
*Used for Cement, Chemicals, Minerals and Coal.*



## VIBRETTE

Two bearing, top or centroid-mounted, brute force, preset stroke with grease lubricated bearings. Sizes 24" to 96" wide by 4' to 24' long.

*Used for Sand, Rock, Aggregate and Asphalt Plants.*



## HORIZONTAL

HORIZONTAL: Top or bottom mounted linear drive with twin drives for flat or uphill, low headroom screening or grizzly feeder operations. Size 18" to 90" wide by 5' to 24' long.

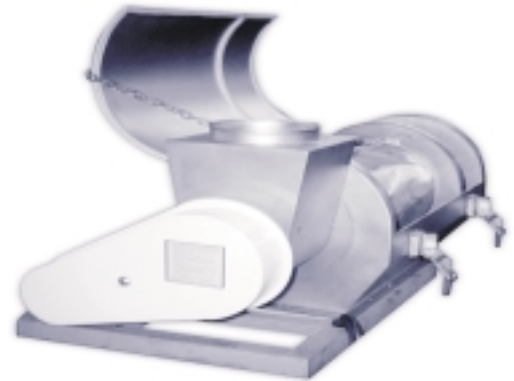
*Used for Chemicals, Industrial Powders, Aggregate, Mining and Liquid/Solid Separations.*



## CENTRIFUGAL

The rotary paddles break friable lumps and push fine, platy and near size particles through the screen. High throughput in a small space. Sizes 12" dia. by 3' long and 18" x 48" long.

*Used for Sugar, Flour, Chemicals and Clay.*



## TROMMEL

Externally driven cylinder of screen or perforated plate panels. Tumbles various sizes and mixed materials. Sizes 36" to 144" dia. by 10' to 70' long.

*Used for Soil, Municipal Waste and Recycling.*





## CIRCULAR

An industry standard round screener with direct drive, movable outlets and readily changeable decks. Most parts interchange with other popular makes. Sizes 18" to 60" dia.. With one to four screens.

*Used for Food, Chemicals and Plastics.*

**3A Construction Available!**

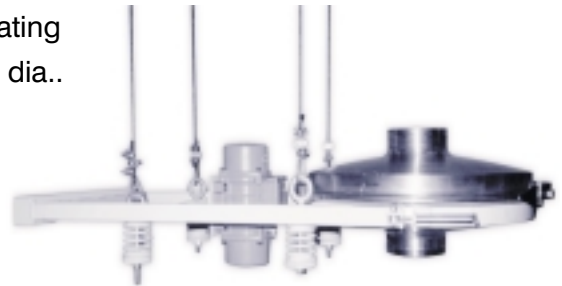


## FLOW THROUGH

Enclosed circular sifter with a cantilevered frame and direct vibrating motor drive. Fits in a minimum of head space. Sizes 24" to 40" dia..

*Used for final safety scalping of Food Products.*

**Features Quickest Clean-up Design!**



## SCREENETTE

Small, light duty screener with a top or bottom mounted vibrating motor drive. Sizes 12" x 2' or 18" x 4'.

*Used for Pilot Plants, Laboratories, Food, Chemicals, Clay and Powered Metals.*



## DUMP STATION

Bags, Bulk Bags or Barrels can be dumped through an uphill or downhill screener with an optional dust filter.

*Used for Food Ingredients and Chemicals.*



**SMICO** can supply the best motion for the tough or unusual project, whether **Wet, Dry, Hot** (+550 °F) or **Cold** (-70 °F) SMICO has the experience to provide solutions, along with system concepts and designs.

Contact the factory for the nearest representative and to discuss project specifics.

**Many economical options are available for each machine series.**

■ **SCREENS**

- Woven Wire
- Piano Wire
- Slot Wire
- Perforated Sheet
- Wedge Wire
- Ball Cleaners
- Screen Heaters
- Spray Bars

■ **INSTALLATION**

- Deep Bodies
- Short Bodies
- Legs
- Cable Suspension

■ **FEEDING**

- Feed Boxes
- Vibrating Feeder
- Aspirators

■ **DISCHARGE**

- Chutes
- Angle Lip
- Spouts
- Aspirators

■ **ENCLOSED**

- Top
- Bottom
- Ends
- Dust Filters



**SMICO Manufacturing Co., L.L.C.**

500 North MacArthur Blvd.  
Oklahoma City, Oklahoma 73127  
Voice: (405) 946-1461  
Toll Free: (800) 351-9088  
Fax: (405) 946-1472  
E-Mail: [smicomfg@aol.com](mailto:smicomfg@aol.com)