

Fully Engineered

CENTRIFUGAL HIGH SPEED SIFTER

smico

MADE IN USA

SMICO CENTRIFUGAL Sifters provide Low Operating Cost, Excellent Product Classification and High Production with Minimum Maintenance.

- **EFFICIENT**-Rotating blades produce extremely high throughput in a limited space
- **CLEAN**-Rolled sheet steel construction minimizes seams. Sealed bearings eliminate contamination from lubricant
- **SMOOTH**-Balanced blade eliminates vibration and frequency problems
- **DEPENDABLE**-Drive is by standard foot mounted electric motor with readily available belts, QD sheaves and bushings
- **SERVICEABLE**-Screens can be inspected and changed through large gasketed door or with a convenient slide out cage
- **VERSATILE**-Inlets, outlets and legs can be custom fit to your installation requirements



SMICO Manufacturing Co, L.L.C.

500 North MacArthur Blvd.
Oklahoma City, Oklahoma 73127-5602
Phone: (405)946-1461 (800)351-9088
Fax: (405)946-1472

www.smico.com

SPECIFICATIONS:

TYPICAL APPLICATIONS:

- ◆ Flour
- ◆ Sugar
- ◆ Spices
- ◆ Chemicals
- ◆ Blended Ingredients
- ◆ Clay
- ◆ Gypsum

OPTIONS:

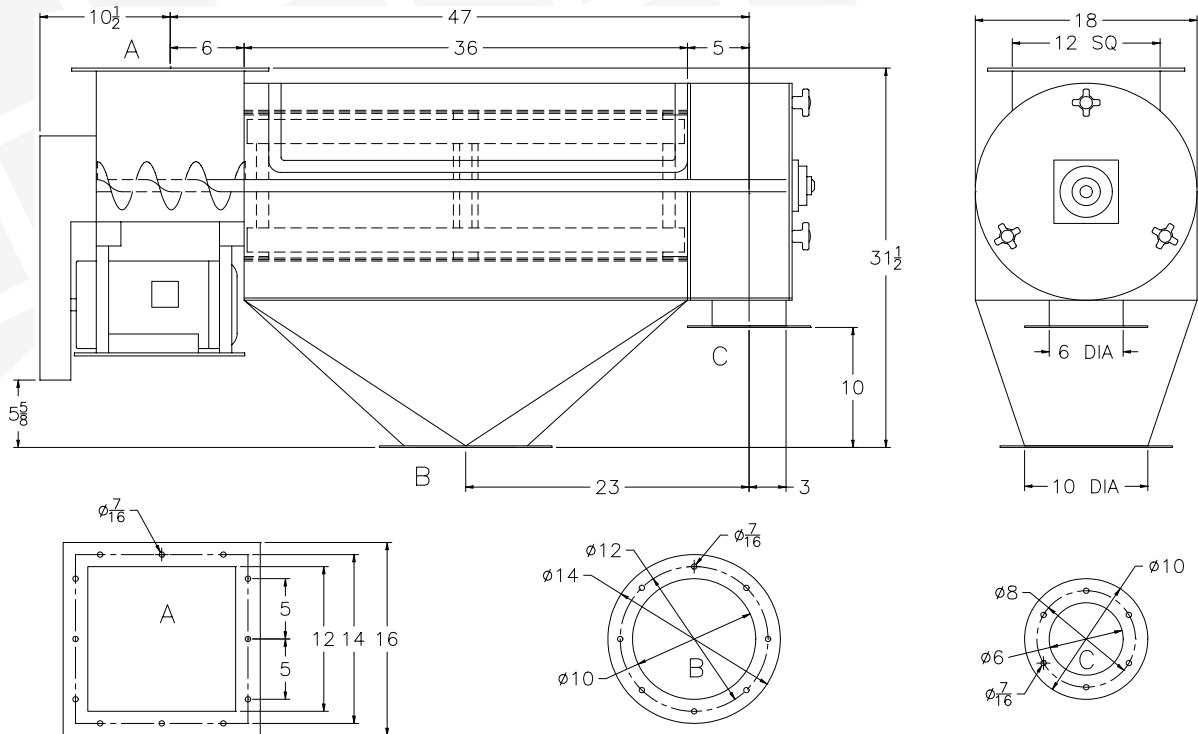
- ◆ Inlets
- ◆ Enclosures
- ◆ Legs
- ◆ Cable Suspension
- ◆ Wear Liners
- ◆ Rubber Isolators
- ◆ High Temperature Features
- ◆ Perforated Plates
- ◆ Woven Wire
- ◆ Spouts/Chutes
- ◆ Hoppers

SIZES:

- ◆ 12" Dia x 3' Long or custom fit to your application



Typical Print



Model 1236S