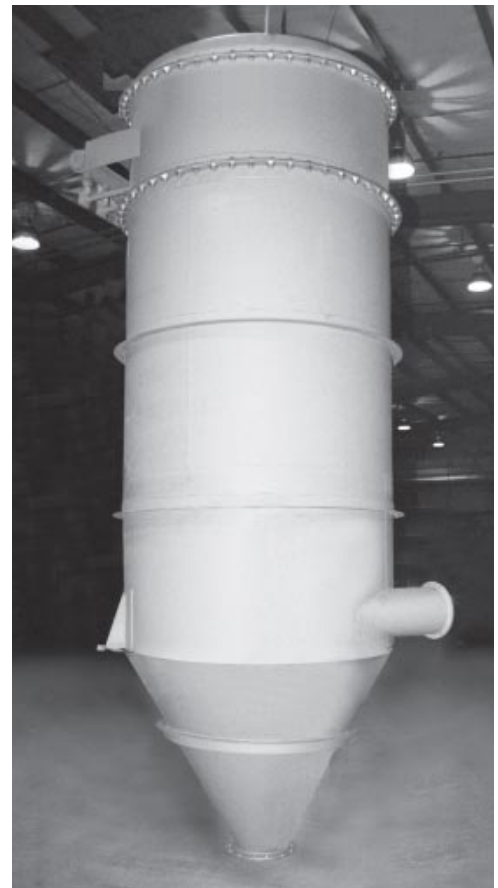


TubeJet® Collector CTR Series

- Need to comply with air quality codes? We will provide a *cost effective* and efficient solution to your pollution control problems.
- Concerned about high pressure or vacuum conditions? The Sly “C” Series of collectors is designed for optimum operation in today’s most demanding process systems.
- Need a collector designed for “*cleanability*”? The cylindrical design is the answer. And in addition, our design requires *no tools* when changing filter bags!
- Tired of short bag life eating into your maintenance budget? You’ll like the “*on demand*” optional cleaning feature.
- Got a tough application? At Sly, special designs are the rule, rather than the exception. We have built our reputation on supplying equipment to fit our customers’ requirements.



• **Quality, reliability and value...Total manufacturing and quality control because Sly makes it with pride in our own shop.**

You get this...	...Because we do this!
• Quick, low cost installation	√ Factory installed: timer, conduit & solenoids (pre-wired), air header, pulse valves & tubing √ Factory applied: primer inside & out, finish enamel out
• Superior cleanability	√ “No corner” design √ Ground flush interior welds (optional)
• Corrosion protection	√ Round walls eliminate "cold spots" and condensation in high heat applications.
• Longer bag life	√ Radial low velocity dual stage baffled inlet with diffuser decreases turbulence √ Tangential inlet (optional) √ High side inlet (optional) √ 12 vertical wire cage provides extra support, minimizing bag wear
• Optimum cleaning	√ Bag design provides optimum filter area with minimum bag quantities
• High filtration efficiency	√ Snap-ring bag provides optimum filter seal √ Wide range of bag fabrics
• Product always flows	√ Configurable hopper slope/discharge
• Reduced compressed air consumption	√ “On demand” cleaning (optional)
• Steady air flow/low pressure drop	√ Multi-pulse adjustable solid state timer fine tunes cleaning system
• Reduced downtime, low cost, easy maintenance	√ Foolproof one-way installation pulse pipe √ Snap-ring filter bag √ Cage/venturi assembly equipped with bail handle



TubeJet® Collector CTR Series

Specifications:

Timer:

- Solid state, multi-pulse, adjustable, standard
- "Clean on demand," optional
- PLC controller, optional

Timer & solenoid enclosure:

- NEMA 4, standard
- NEMA 7/9, optional
- Heated, optional

Differential pressure gauge:

- Magnehelic, range 0-15" WG, standard
- Other types/ranges, optional

Pressure switch, photohelic:

- For "On-demand" cleaning, optional

Materials:

Housing:

- Carbon steel, standard
- Stainless steel, optional
- Special alloy, optional

Hopper:

- Carbon steel, standard
- 60° conical, standard
- Special hoppers, optional

Construction:

- Certified AWS welded housing, standard
- ASME design criteria, standard
- (4) support lugs, standard
- Explosion vents, optional
- High temperature construction, optional
- Factory insulation, optional

Surface protection:

- Primer in and out, finish enamel out, standard
- Special paint and coatings, optional
- Galvanized, optional

Operating pressure:

- +/-20" WG, standard
- +/-100" WG, optional
- +/-17" Hg, optional
- ASME code stamp over 15 PSIG, optional
- Explosion containment, optional

Filter bags:

- Snap-ring, 5-3/4" diameter, standard
- Snap-ring, other diameters, optional
- Grounded, optional
- Various fabrics and finishes, optional

Cages:

- 11 ga galv steel; 12 vertical wire with horizontal rings on 8 inch centers; integral venturi assembly, standard
- Coated or alloy cages and venturis, optional

Air stream connections:

Inlet:

- Flanged, radial, located in hopper, low velocity, dual staged with baffle and diffuser, standard
- Tangential, optional
- Stone box, optional

Outlet:

- Flanged, standard
- Custom configuration, optional

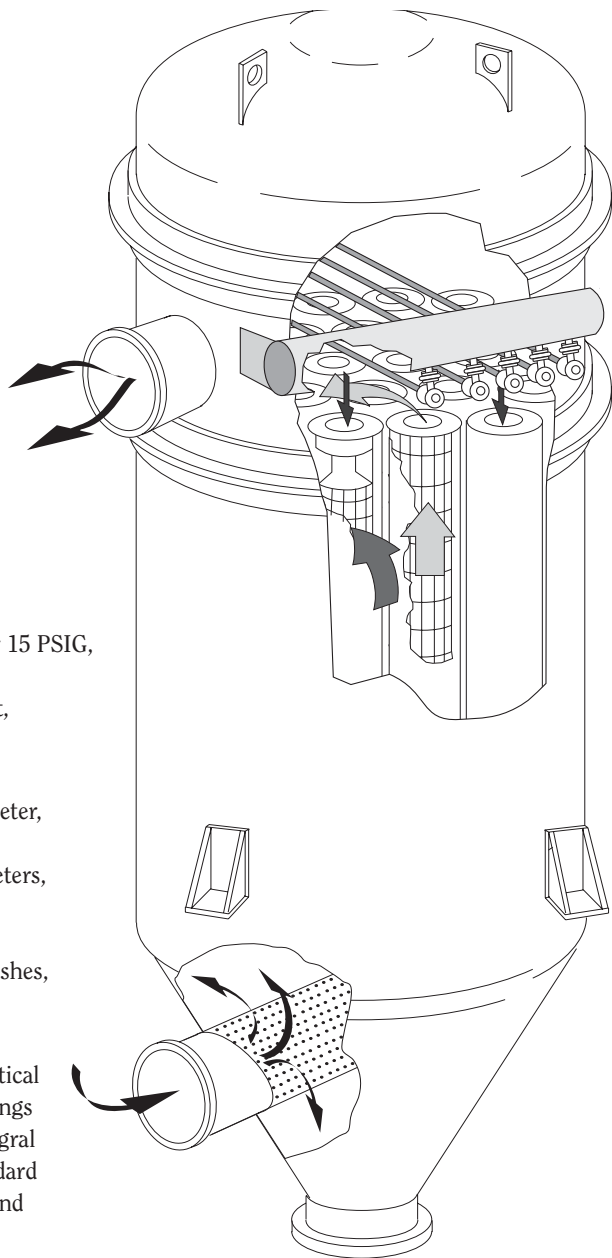
Access:

Housing:

- Dished head, top removal, standard
- Davit arm for head removal, optional
- Walk-in clean air plenum, optional
- Inspection port, optional

Hopper:

- Flanged inspection port, standard
- Custom, optional



Supports:

- Structural steel legs, optional
- Access platform, optional
- Ladder, optional
- Interior safety grid, optional

Accessories:

- Control panel
- Exhaust fan
- Rotary valve
- Hopper vibrator
- Other

Equipment Factor: 1.0

**Refer to Air-to-Cloth Ratio Selector
on page 4 of Catalog PS-100**

SLY
INC
TECHNOLOGY FOR A
CLEAN ENVIRONMENT

P.O. Box 5939
Cleveland, OH 44101
Telephone: (440) 891-3200
Fax: (440) 891-3210
(800) 334-2957
www.slyinc.com
E-mail: info@slyinc.com