

Pactecon[®] Dust Collectors Model PC-100

Low Headroom, Outside Bag Removal, Compact Overall Size

Sly Pactecon collectors are designed to continuously clean with no interruption of process air flow.

Greater Filter Capacity in a Smaller Space

Sly's unique rectangular envelope bags pack more filter cloth per cubic foot into the smallest space. The smaller the collector, the less floor space required.

Side Bag Removal Without Entering Housing

Inspection or removal of envelope bags is done from the side, not the top of the collector. All inspections, adjustments and repairs are made from outside the housing through the quick-release front and rear doors. This means easier, safer access. Additionally, it is not necessary for maintenance personnel to enter the housing to change bags.

Longest Bag Life of Any Pulse- Cleaned Collector

Sly's unique off-line pulse cleaning system* means the fewest bag changes of any collector. Here's how it works:

1. Each cell is sequentially taken off-line.
2. Non-destructive pulse air is applied to the bag, expanding it.
3. As the bag flexes, excess dust cake is removed with minimum bag flexing.

Because this action takes place when the cell is off-line (unlike all other manufacturers' collectors), a lower pressure, higher volume pulse is employed. This translates to a 2 to 3 time bag life improvement versus on-line cleaning.

Pactecon PC-100-4 units contain four bags per cell. PC-100-6 units have six bags per cell. Higher cleaning efficiency and longer bag life are assured by use of heavy felts. Pulse-clean air valves, solenoids, timers, piping and other components are installed



on every filter prior to shipping. Filters are shipped with bags installed making installation fast and low cost.

Heavy-Duty Construction

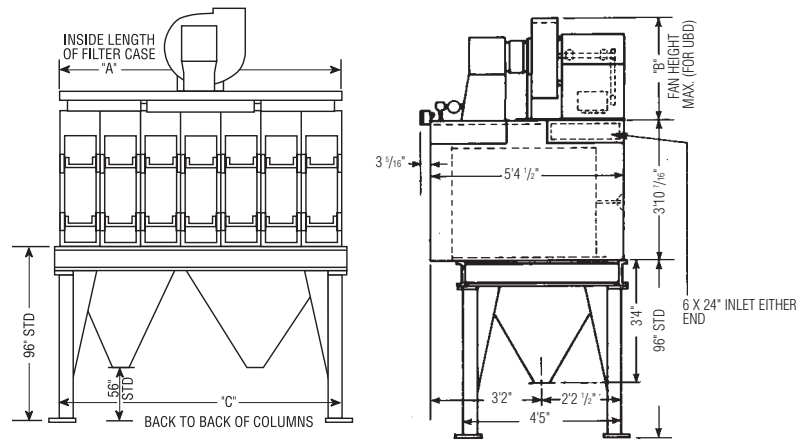
The Pactecon filter housing is made of heavy gauge construction designed for pressure up to ± 20 " W.G. Two coats of paint, the second one applied after final assembly, protect the unit. The housing is mounted on a heavy structural channel frame, pre-punched for

structural support or bin mounting. Inlet openings with cover plates are provided in each side of the top plenum. Either may be quickly removed by the customer and adapted to his inlet pipe. The PC-100 provides for roof-top mounted fans. Standard 14 ga. hoppers are assembled and ready for installation. A variety of dust discharge valves are available. Heavy, gusseted structural supports are furnished, as standard, for heights up to 8 feet. Higher supports are available, as are walkways.

Pactecon® Dust Collectors Model PC-100

Standard Features

- Outside bag changing from side of filter
- Off-line cleaning
- Downflow design
- Cells partitioned to eliminate re-entrainment
- Support legs
- Flanged and bolted construction to ±20" W.G.
- 60°, 14 gauge hoppers with hand-operated valves
- Gasketed, quick-release doors front and rear
- Two coats of paint, the second after final assembly
- 16 oz. polyester felt bags
- Bolted inlets, one on each end
- Roof-mounted fans
- Solenoids, air cylinders and pulse valves installed
- Interconnecting compressed air piping
- Solid state timer in NEMA 4 enclosure (110 volt control)
- Shop assembled, including bags
- Magnehelic gauge



Optional Equipment and Features

- Fan packages
- Rotary valves
- Trough hopper with screw conveyor
- Custom supports
- Special filter fabrics
- "On-demand" cleaning
- Grounded filter bags
- OSHA walkways
- Pre-wired control panels
- Air compressors and accessories
- Explosion vents
- NEMA 7/9 electricals
- Internal sprinkler piping
- Stainless steel housings
- Special coatings
- Insulation
- Individual cell isolation for maintenance

PC-100-4 Specifications

Model PC Size	Capacity (CFM) At: 5:1 Ratio	Capacity (CFM) At: 6:1 Ratio	No. of Bags	Cloth Area Sq. Ft.	No. of Hoppers	Length of Filter Case Dimension "A"	Approx. Fan Height Dimension "B"	Back-to-Back of Columns "C"
102-4	890	1068	8	178	1	2'-2-1/4"	30"	2'-3-1/4"
103-4	1330	1596	12	266	1	3'-3-3/8"	30"	3'-4-3/8"
104-4	1775	2130	16	355	1	4'-4-1/2"	34"	4'-5-1/2"
105-4	2220	2664	20	444	2	5'-5-5/8"	34"	5'-6-5/8"
106-4	2665	3198	24	533	2	6'-6-3/4"	46"	6'-7-3/4"
107-4	3110	3732	28	622	2	7'-7-7/8"	46"	7'-8-7/8"
108-4	3550	4260	32	710	2	8'-9"	46"	8'-10"



P.O. Box 5939
Cleveland, OH 44101
Telephone: (440) 891-3200
Fax: (440) 891-3210
(800) 334-2957
www.slyinc.com
E-mail: info@slyinc.com

PC-100-6 Specifications

Model PC Size	Capacity (CFM) At: 5:1 Ratio	Capacity (CFM) At: 6:1 Ratio	No. of Bags	Cloth Area Sq. Ft.	No. of Hoppers	Length of Filter Case Dimension "A"	Fan Height Dimension "B"	Back-to-Back of Columns "C"
102-6	1330	1596	12	266	1	2'-2-1/4"	30"	2'-3-1/4"
103-6	2060	2400	18	400	1	3'-3-3/8"	34"	3'-4-3/8"
104-6	2665	3198	24	533	1	4'-4-1/2"	46"	4'-5-1/2"
105-6	3330	3996	30	666	2	5'-5-5/8"	46"	5'-6-5/8"
106-6	4000	4800	36	800	2	6'-6-3/4"	57"	6'-7-3/4"

Equipment Factor: 0.85

Refer to Air-to-Cloth Ratio Selector on page 4 of Catalog PS-100

Pactecon[®] Dust Collectors Model PC-200

Low Headroom, Outside Bag Removal, Compact Overall Size

Sly Pactecon collectors are designed to continuously clean with no interruption of process air flow.

Greater Filter Capacity in a Smaller Space

Sly's unique rectangular envelope bags pack more filter cloth per cubic foot into the smallest space. The smaller the collector, the less floor space required.

Side Bag Removal Without Entering Housing

Inspection or removal of envelope bags is done from the side, not the top of the collector. All inspections, adjustments and repairs are made from outside the housing through the quick-release front and rear doors. This means easier, safer access. Additionally, it is not necessary for maintenance personnel to enter the housing to change bags.

Longest Bag Life of Any Pulse- Cleaned Collector

Sly's unique off-line pulse cleaning system* means the fewest bag changes of any collector. Here's how it works:

1. Each cell is sequentially taken off-line.
2. Non-destructive pulse air is applied to the bag, expanding it.
3. As the bag flexes, excess dust cake is removed with minimum bag flexing.

Because this action takes place when the cell is off-line (unlike all other pulse cleaned collectors), a lower pressure, higher volume pulse is employed. This translates to a 2 to 3 time bag life improvement versus on-line cleaning.

Pactecon PC-200-4 units contain eight bags per cell. PC-200-6 units have twelve bags per cell. Higher cleaning efficiency and longer bag life are assured by use of heavy scrim supported felts. Pulse-clean air valves, solenoids, timers, piping and other components are installed on every filter prior to shipping. The collectors are shipped with bags installed making installation fast and low cost.



Heavy-Duty Construction

The Pactecon filter housing is made of heavy gauge construction designed for pressure up to ± 20 " W.G. Two coats of paint, the second one applied after final assembly, protect the unit. The housing is mounted on a heavy structural channel frame, pre-punched for structural support or bin mounting.

The PC-200 is equipped with end access panels for connection to separately mounted fans. Standard 14 ga. hoppers are assembled and ready for installation. A variety of dust discharge valves are available. Heavy, cross-braced, structural supports are furnished, as standard, for heights up to 10 feet. Higher supports, as well as walkways, are available.

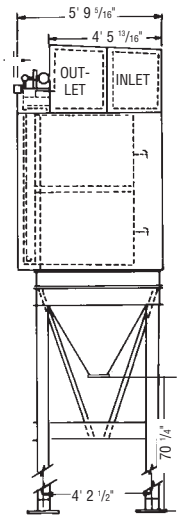
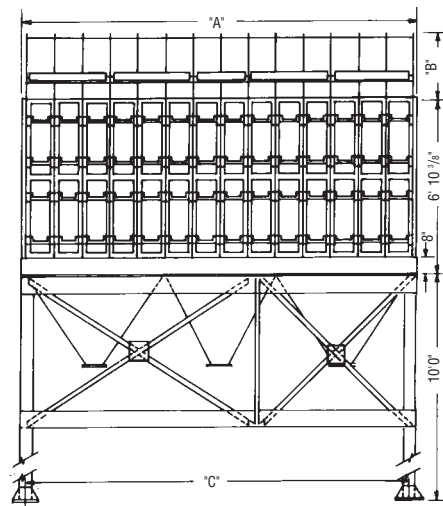
Pactecon[®] Dust Collectors Model PC-200

Standard Features

- Outside bag changing from side of filter
- Off-line cleaning
- Downflow design
- Cells partitioned to eliminate re-entrainment
- Flanged and bolted construction to ±20" W.G.
- 60°, 14 gauge hoppers with hand-operated valves
- Gasketed, quick-release doors front and rear
- Two coats of paint, the second after final assembly
- 16 oz. polyester felt bags
- Bolted inlets and outlets on each end
- Solenoids, air cylinders and pulse valves installed
- Interconnecting compressed air piping
- Solid state timer in NEMA 4 enclosure (110 volt control)
- Shop assembled, including bags
- Magnehelic gauge

Optional Equipment and Features

- Fan platform
- Fan packages
- Classifier
- Custom supports
- OSHA walkways
- Special inlets and outlets
- Special coatings
- Pre-wired control panels
- NEMA 7/9 electricals
- Explosion vents
- Internal sprinkler piping
- Special filter fabrics
- Grounded filter bags
- Rotary valves



- Trough hopper with screw conveyors
- "On-demand" cleaning
- Air compressor packages
- Insulation
- Stainless steel housings
- Individual cell isolation for maintenance

PC-200-4 Specifications

Model PC Size	Capacity (CFM) At:		No. of Bags	Cloth Area Sq. Ft.	No. of Hoppers	Length of Filter Case Dimension "A"	Plenum Height Dimension "B"	CL Columns Dimension "C"
	5:1 Ratio	6:1 Ratio						
205-4	4440	5328	40	888	1	5'-10-3/16"	1'-7-1/8"	5'-5-15/16"
206-4	5328	6394	48	1066	2	6'-11-3/8"	1'-7-1/8"	6'-7-1/8"
207-4	6216	7460	56	1243	2	8'-0-9/16"	1'-7-1/8"	7'-8-5/16"
208-4	7104	8525	64	1421	2	9'-1-3/4"	2'-8-1/8"	8'-9-1/2"
209-4	7992	9591	72	1598	2	10'-2-15/16"	2'-8-1/8"	9'-10-11/16"
210-4	8880	10656	80	1776	2	11'-4-1/8"	2'-8-1/8"	10'-11-7/8"
211-4	9768	11722	88	1954	3	12'-5-5/16"	2'-8-1/8"	12'-1-1/16"
212-4	10656	12788	96	2131	3	13'-6-1/2"	2'-8-1/8"	13'-2-1/4"
213-4	11544	13853	104	2309	3	14'-7-11/16"	2'-8-1/8"	14'-3-7/16"
214-4	12432	14919	112	2486	3	15'-8-7/8"	2'-8-1/8"	15'-4-5/8"
215-4	13320	15984	120	2664	3	16'-10-1/16"	2'-8-1/8"	16'-5-13/16"
216-4	14208	17050	128	2842	4	17'-11-1/4"	3'-9-1/8"	17'-7"
217-4	15096	18115	136	3019	4	19'-0-7/16"	3'-9-1/8"	18'-8-3/16"
218-4	15984	19181	144	3197	4	20'-1-5/8"	3'-9-1/8"	19'-9-3/8"
219-4	16872	20247	152	3374	4	21'-2-13/16"	3'-9-1/8"	20'-10-9/16"
220-4	17760	21312	160	3552	4	22'-4"	3'-9-1/8"	21'-11-3/4"
221-4	18648	22378	168	3730	5	23'-5-3/16"	3'-9-1/8"	23'-0-15/16"
222-4	19536	23444	176	3907	5	24'-6-3/8"	3'-9-1/8"	24'-6-1/8"
223-4	20424	24509	184	4085	5	25'-7-9/16"	3'-9-1/8"	25'-3-5/16"
224-4	21312	25575	192	4262	5	26'-8-3/4"	3'-9-1/8"	26'-8-1/2"

PC-200-6 Specifications

Model PC Size	Capacity (CFM) At:		No. of Bags	Cloth Area Sq. Ft.	No. of Hoppers	Length of Filter Case Dimension "A"	Plenum Height Dimension "B"	CL Columns Dimension "C"
	5:1 Ratio	6:1 Ratio						
204-6	5330	6395	48	1066	1	4'-9"	1'-7-1/8"	4'-4-9/16"
205-6	6660	7992	60	1332	1	5'-10-3/16"	1'-7-1/8"	5'-5-15/16"
206-6	7992	9591	72	1598	2	6'-11-3/8"	2'-8-1/8"	6'-7-1/8"
207-6	9320	11184	84	1864	2	8'-0-9/16"	2'-8-1/8"	7'-8-5/16"
208-6	10656	12788	96	2131	2	9'-1-3/4"	2'-8-1/8"	8'-9-1/2"
209-6	11990	14388	108	2398	2	10'-2-15/16"	2'-8-1/8"	9'-10-11/16"
210-6	13320	15984	120	2664	2	11'-4-1/8"	2'-8-1/8"	10'-11-7/8"
211-6	14650	17580	132	2930	3	12'-5-5/16"	3'-9-1/8"	12'-1-1/16"
212-6	15984	19181	144	3197	3	13'-6-1/2"	3'-9-1/8"	13'-2-1/4"
213-6	17315	20778	156	3463	3	14'-7-11/16"	3'-9-1/8"	14'-3-7/16"
214-6	18648	22378	168	3730	3	15'-8-7/8"	3'-9-1/8"	15'-4-5/8"
215-6	19980	23976	180	3996	3	16'-10-1/16"	3'-9-1/8"	16'-5-13/16"
216-6	21312	25575	192	4262	4	17'-11-1/4"	3'-9-1/8"	17'-7"
217-6	22644	27174	204	4529	4	19'-0-7/16"	3'-9-1/8"	18'-8-3/16"
218-6	23975	28770	216	4795	4	20'-1-5/8"	3'-9-1/8"	19'-9-3/8"
219-6	25305	30366	228	5061	4	21'-2-13/16"	3'-9-1/8"	20'-10-9/16"
220-6	26640	31968	240	5328	4	22'-4"	3'-9-1/8"	21'-11-3/4"
221-6	27970	33564	252	5594	5	23'-5-3/16"	3'-9-1/8"	23'-0-15/16"
222-6	29305	35166	264	5861	5	24'-6-3/8"	3'-9-1/8"	24'-6-1/8"
223-6	30635	36762	276	6127	5	25'-7-9/16"	3'-9-1/8"	25'-3-5/16"
224-6	31970	38364	288	6394	5	26'-8-3/4"	3'-9-1/8"	26'-8-1/2"



P.O. Box 5939
Cleveland, OH 44101
Telephone: (440) 891-3200
Fax: (440) 891-3210
(800) 334-2957
www.slyinc.com
E-mail: info@slyinc.com

Equipment Factor: 0.85
Refer to Air-to-Cloth Ratio Selector on page 4 of Catalog PS-100

©1994 Sly Inc.
EB200 294
Printed in U.S.A.
Pactecon is a registered trademark of Sly Inc.