

## Series "E" - Slide Gates

"SB" - Stud Bolt

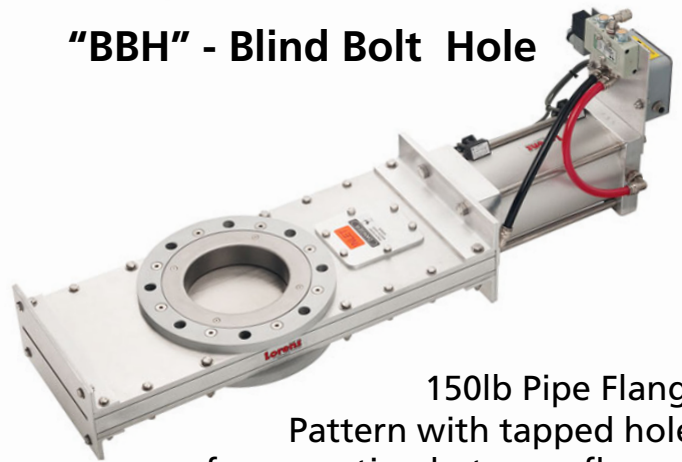


150lb Pipe Flange Pattern with studs for bolting to flanges.

"BTV" - Bolt Through Valve



"BBH" - Blind Bolt Hole



150lb Pipe Flange Pattern with tapped holes for mounting between flanges.

Pneumatic actuated slide gate for vacuum or low pressure\* conveying systems.

\*(Dilute phase up to 15 psig max)

### Standard Features

- Positive blade lock (PBL) between blade & cylinder rod.
  - Internal magnetic piston, cushioned air cylinder.
    - Polished stainless steel blade.
  - Light weight aluminium body construction.
    - Temperature rated for up to 82° C (180°F).
      - Lightweight, durable air cylinder.
- Double acting or single acting spring return solenoid or manual lever valve.
  - NEMA 4 water tight & dust tight electrics.
- Wall thicknesses of 16, 14 & 11 gauge, schedule 10, 40 & 80.
  - Fully tested prior to shipping.

## Series "E" - Slide Gates

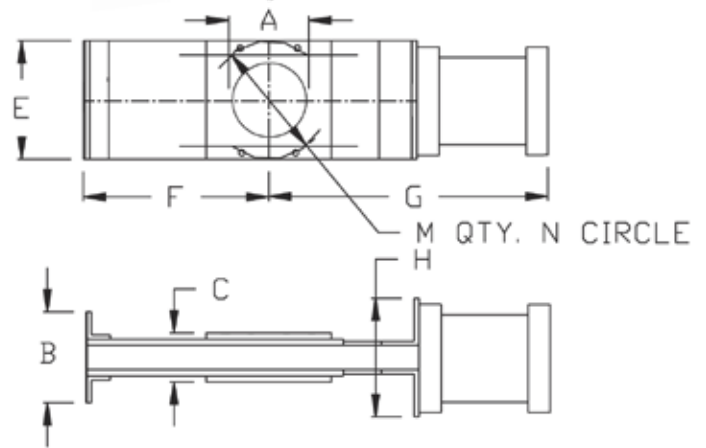
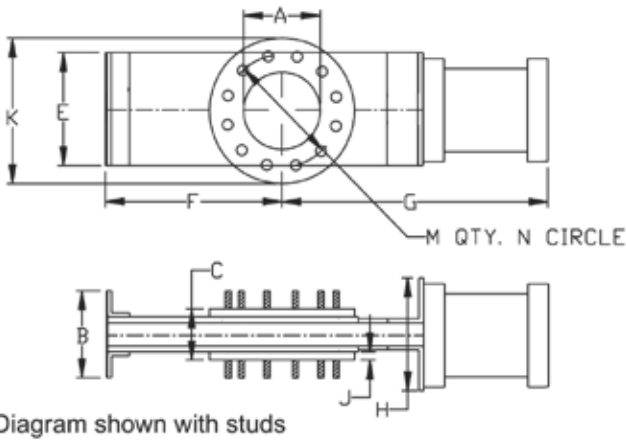
"SB" - Stud Bolt



"BBH" - Blind Bolt Hole



"BTV" - Bolt Through Valve



Orifice conforms to inside diameter of pipe or tube								FLANGE DIMENSIONS				THREAD SIZE, STUD LENGTH	
A	B	C	E	F	G	H	J	K	M	N			
1 1/2 OD	4 3/4	3	5	4 5/8	13 1/4	4 3/4	5/8	5	4	3 7/8	5/8-11 NC	1 3/4	
2 OD	4 3/4	3	5	4 5/8	13 1/4	4 3/4	5/8	6	4	4 3/4	5/8-11 NC	1 3/4	
2 3/16 OD	4 3/4	3	6	5	14 3/4	4 3/4	5/8	6	4	4 3/4	5/8-11 NC	1 3/4	
2 3/8 OD	4 3/4	3	6	5	14 3/4	4 3/4	5/8	6	4	4 3/4	5/8-11 NC	1 3/4	
2 1/2 OD	4 3/4	3	6	5 3/4	16	4 3/4	5/8	7	4	5 1/2	5/8-11 NC	1 3/4	
2 7/8 OD	4 3/4	3	6	5 3/4	16	4 3/4	5/8	7	4	5 1/2	5/8-11 NC	1 3/4	
3 OD	4 3/4	3	6	5 7/8	16	4 3/4	5/8	7 1/2	4	6	5/8-11 NC	1 3/4	
3 1/2 OD	4 3/4	3	7	7 7/8	20	4 3/4	5/8	7 1/2	4	6	5/8-11 NC	1 3/4	
4 OD	4 3/4	3	7	7 7/8	20	4 3/4	5/8	9	8	7 1/2	5/8-11 NC	1 3/4	
4 1/2 OD	4 3/4	3	9	8 1/2	22 1/2	4 3/4	5/8	9	8	7 1/2	5/8-11 NC	1 3/4	
5 OD	4 3/4	3	9	10 1/8	23 7/8	4 3/4	5/8	10	8	8 1/2	3/4-10 NC	1 3/4	
5 9/16 OD	4 3/4	3	9	10 1/8	23 7/8	4 3/4	5/8	10	8	8 1/2	3/4-10 NC	1 3/4	
6 OD	4 3/4	3	10	11 1/8	25 1/2	5 3/4	5/8	11	8	9 1/2	3/4-10 NC	1 3/4	
6 5/8 OD	4 3/4	3	10	12	26 3/4	5 3/4	5/8	11	8	9 1/2	3/4-10 NC	1 3/4	
8 OD	4 3/4	3	12	14 1/8	30 1/2	5 3/4	5/8	13 1/2	8	11 3/4	3/4-10 NC	1 3/4	
8 5/8 OD	4 3/4	3	12	14 1/2	30 3/4	5 3/4	5/8	13 1/2	8	11 3/4	3/4-10 NC	1 3/4	
10 OD	5 3/4	3 1/4	14	17 3/8	35 5/8	5 3/4	3/4	16	12	14 1/4	3/4-10 NC	1 3/4	
10 3/4 OD	5 3/4	3 1/4	14	17 3/8	35 5/8	5 3/4	3/4	16	12	14 1/4	3/4-10 NC	1 3/4	
12 OD	5 3/4	3 1/4	16	21	41 1/4	5 3/4	3/4	19	12	17	7/8-9 NC	1 3/4	
12 3/4 OD	5 3/4	3 1/4	16	21	41 1/4	5 3/4	3/4	19	12	17	7/8-9 NC	1 3/4	
14 OD	5 3/4	3 1/4	18	23 3/4	46	5 3/4	3/4	21	12	18 3/4	1-8 NC	1 3/4	

Orifice conforms to inside diameter of pipe or tube								FLANGE DIMENSIONS				THREAD SIZE, STUD LENGTH	
A	B	C	E	F	G	H	J	K	M	N			
1 1/2 OD	4 3/4	3	5	4 5/8	13 1/4	4 3/4	5/8	5	4	3 7/8	5/8-11 NC	1 3/4	
2 OD	4 3/4	3	5	4 5/8	13 1/4	4 3/4	5/8	6	4	4 3/4	5/8-11 NC	1 3/4	
2 3/16 OD	4 3/4	3	6	5	14 3/4	4 3/4	5/8	6	4	4 3/4	5/8-11 NC	1 3/4	
2 3/8 OD	4 3/4	3	6	5	14 3/4	4 3/4	5/8	6	4	4 3/4	5/8-11 NC	1 3/4	
2 1/2 OD	4 3/4	3	6	5 3/4	16	4 3/4	5/8	7	4	5 1/2	5/8-11 NC	1 3/4	
2 7/8 OD	4 3/4	3	6	5 3/4	16	4 3/4	5/8	7	4	5 1/2	5/8-11 NC	1 3/4	
3 OD	4 3/4	3	6	5 7/8	16	4 3/4	5/8	7 1/2	4	6	5/8-11 NC	1 3/4	
3 1/2 OD	4 3/4	3	7	7 7/8	20	4 3/4	5/8	7 1/2	4	6	5/8-11 NC	1 3/4	
4 OD	4 3/4	3	7	7 7/8	20	4 3/4	5/8	9	8	7 1/2	5/8-11 NC	1 3/4	
4 1/2 OD	4 3/4	3	9	8 1/2	22 1/2	4 3/4	5/8	9	8	7 1/2	5/8-11 NC	1 3/4	
5 OD	4 3/4	3	9	10 1/8	23 7/8	4 3/4	5/8	10	8	8 1/2	3/4-10 NC	1 3/4	
5 9/16 OD	4 3/4	3	9	10 1/8	23 7/8	4 3/4	5/8	10	8	8 1/2	3/4-10 NC	1 3/4	
6 OD	4 3/4	3	10	11 1/8	25 1/2	5 3/4	5/8	11	8	9 1/2	3/4-10 NC	1 3/4	
6 5/8 OD	4 3/4	3	10	12	26 3/4	5 3/4	5/8	11	8	9 1/2	3/4-10 NC	1 3/4	
8 OD	4 3/4	3	12	14 1/8	30 1/2	5 3/4	5/8	13 1/2	8	11 3/4	3/4-10 NC	1 3/4	
8 5/8 OD	4 3/4	3	12	14 1/2	30 3/4	5 3/4	5/8	13 1/2	8	11 3/4	3/4-10 NC	1 3/4	
10 OD	5 3/4	3 1/4	14	17 3/8	35 5/8	5 3/4	3/4	16	12	14 1/4	3/4-10 NC	1 3/4	
10 3/4 OD	5 3/4	3 1/4	14	17 3/8	35 5/8	5 3/4	3/4	16	12	14 1/4	3/4-10 NC	1 3/4	
12 OD	5 3/4	3 1/4	16	21	41 1/4	5 3/4	3/4	19	12	17	7/8-9 NC	1 3/4	
12 3/4 OD	5 3/4	3 1/4	16	21	41 1/4	5 3/4	3/4	19	12	17	7/8-9 NC	1 3/4	
14 OD	5 3/4	3 1/4	18	23 3/4	46	5 3/4	3/4	21	12	18 3/4	1-8 NC	1 3/4	

All Dimensions in Inches