

Dual Air Cylinder Roller Gate - Series "N"

Pneumatic Actuated for gravity flow applications

Dust tight seals on blade

Same features as **Lorenz**
Roller Gate in a compact size

Aluminium construction standard
available in sizes from 6" up to 30"

Standard and CEMA
mounting patterns



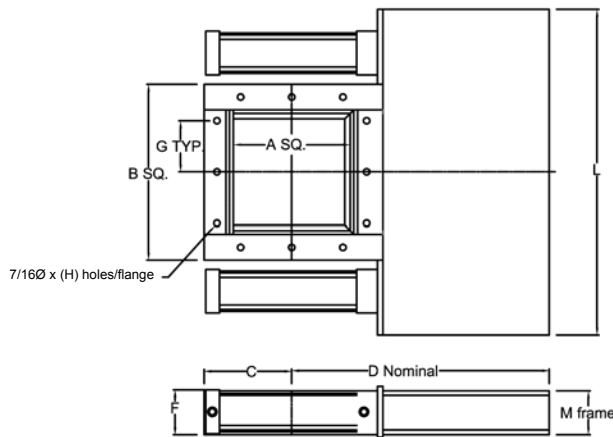
Standard Features

- Positive blade lock (PBL) between blade & cylinder rod
- Internal magnetic piston, cushioned air cylinder
 - 304 stainless steel blade
- Narrow profile, light weight aluminum frame
- Nylon cam rollers • Constant pressure nylon seals on blade
- Fully lined polymer interior • Standard gate rated for 82°C (180°F)
 - Fully tested prior to shipping

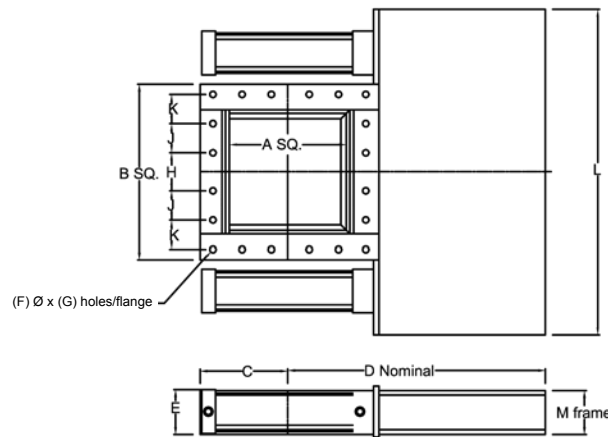
Dual Air Cylinder Roller Gate - Series "N"

Pneumatic Actuated for gravity flow applications

Standard Bolt Pattern



CEMA Bolt Pattern



GATE SIZE

A	B	C	D	F	G	H	L	M
6	10	5	14 5/8	3 3/8	4 1/8	8	21 1/4	3
8	12	6	17 5/8	3 3/8	3 1/2	12	22 1/4	3
10	14	7	20 5/8	3 3/8	4 1/2	12	25 1/4	3
12	16	8	23 5/8	3 3/8	2 3/4	20	27 1/4	3
14	18	9	26 5/8	3 3/8	3 1/4	20	29 1/4	3
16	20	10 5/8	30 1/4	4 1/8	3 3/4	20	32 3/4	3
18	22	11 5/8	33 1/4	4 1/8	4 1/4	20	34 3/4	3
20	24	12 5/8	36 1/4	4 1/8	3	28	36 3/4	3
22	26	13 5/8	39 1/4	4 1/8	3 1/2	28	38 3/4	3
24	29	14 1/2	42 7/8	5 1/8	3 3/4	28	44 1/4	4
30	35	17 1/2	51 7/8	5 1/8	3 5/8	36	50 1/4	4

GATE SIZE CONVEYOR

A	B	C	D	E	F	G	H	J	K	L	M
7"	11	5 1/2	16 1/8	3 3/8	7/16	12	3	--	2 13/16	22 1/4	3
10"	14	7	20 5/8	3 3/8	7/16	12	4	--	4	25 1/4	3
11"	15	7 1/2	22 1/8	3 3/8	7/16	12	4 3/8	--	4 5/16	26 1/4	3
13"	17	8 1/2	25 1/8	3 3/8	7/16	12	5 1/4	--	5 1/8	28 1/4	3
15"	19	9 1/2	28 1/8	3 3/8	7/16	20	3 1/2	3 1/2	3 1/2	30 1/4	3
17"	21	11 1/8	31 3/4	4 1/8	7/16	20	4	4	3 3/4	33 1/4	3
19"	23	12 1/8	34 3/4	4 1/8	9/16	20	4 3/8	4 3/8	4 7/16	35 3/4	3
21"	25	13 1/8	37 1/4	4 1/8	9/16	20	4 3/4	4 3/4	4 7/8	37 3/4	3
25"	30	15	44 3/8	5 1/8	9/16	20	5 1/2	5 5/8	5 5/8	45 1/4	4

Options

- Solenoids-single or double acting 110 volt AC & 24 volt DC NEMA 4
(available NEMA 7 Class I, Groups B, C & D, Class II, Groups E, F & G)
- Oversized air cylinders • High temperature modifications available
- Position switches mounted on air cylinder NEMA 4, 110 volt AC & 24 volt DC
 - Stainless steel • Pre-wired terminal box (PVC) • Clear covers