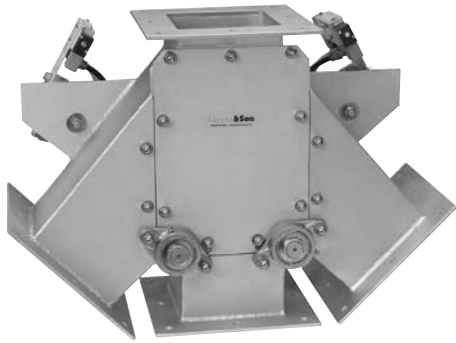
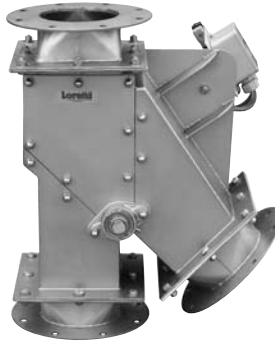


Gravity Diverters

Sealed Units Series "L"



**3-Way Sealed
Gravity Diverters**



**2-Way Sealed
Gravity Diverters**

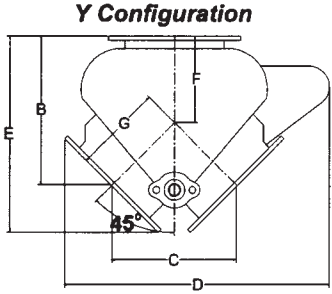


Standard Features

- For dry gravity flow applications providing a seal to the atmosphere
 - Sizes from 4" up to 30"
 - Stainless steel, carbon steel & aluminum construction
 - All valves come with square inlets and outlets standard
- Blade pocket protects leading edge of blade from wear and directs flow of material away
 - Suitable for up to 82° C (180° F)
- Replaceable active compression shaft seal and urethane blade seal
- Valves come standard with double acting, magnetic piston air cylinder

Options

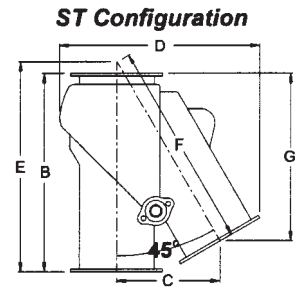
- Square to round transitions available
- Removable door for cleaning & seal replacement (knobs optional)
 - Solenoids - double or single acting
- High temperature modifications available



45°

2-Way Sealed Gravity Diverters (30° leg optional)

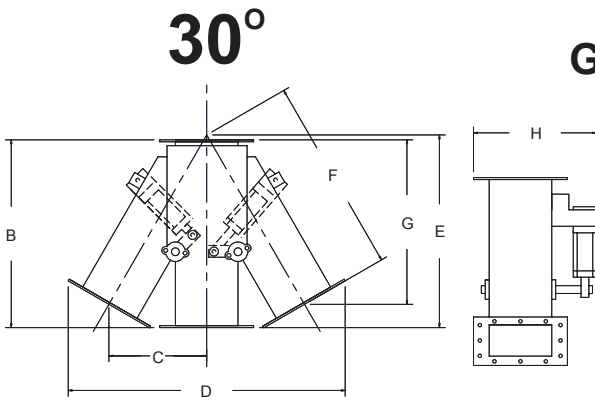
Dimensions



45°

45°							
SIZE	B	C	D	E	F	G	WT(apprx)
4	9	7 1/2	16	11 7/8	5 1/4	5 3/8	40 (10ga)
6	10 1/4	9	18	13 7/8	5 3/4	6 3/8	50 (10 ga)
8	11 1/2	10 1/2	19 1/2	15 3/4	6 1/4	7 1/2	65 (10 ga)
10	13	12	24 5/8	18	7	8 1/2	80 (10 ga)
12	14 1/4	13	26 1/2	20	7 3/4	9 1/4	95 (10 ga)
14	15 3/4	14 1/2	27 1/4	22 1/8	8 1/2	10 1/4	120 (7 ga)
16	17	16	30 1/8	24	9	11 3/8	140 (7 ga)
18	19	19	34 1/2	26 3/4	9 1/2	13 1/2	160 (7 ga)
20	21 1/2	22	39	30	10 1/2	15 1/2	185 (7 ga)
22	23	24	42 3/8	32 1/4	11	17	210 (7 ga)
24	25 1/2	29	49 1/2	35 3/4	11	20 1/2	360 (1/4")
26	27	31	53	38	11 1/2	22	430 (1/4")
28	29	33	56 3/8	40 5/8	12 1/2	23 3/8	500 (1/4")
30	30 1/2	35	59 3/4	42 7/8	13	24 3/4	570 (1/4")

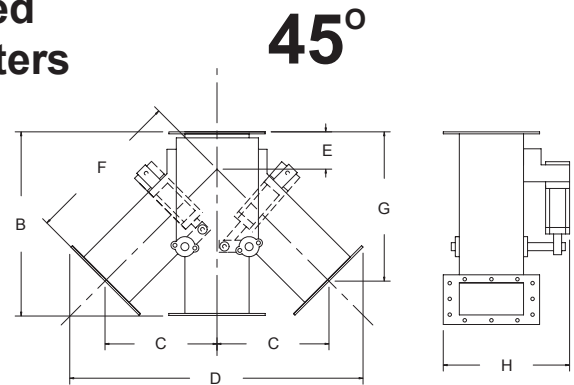
45°							
SIZE	B	C	D	E	F	G	WT(apprx)
4	15 1/4	8	15 1/4	4 1/2	11 3/8	12 3/8	50 (10 ga)
6	18	9 3/4	19	4 3/4	13 3/4	14 1/2	65 (10 ga)
8	21	11 1/2	22 5/8	5 1/4	16 1/4	16 3/4	75 (10 ga)
10	23	13	25 7/8	5	18 3/8	18	110 (10 ga)
12	26	14 3/4	29 3/8	5 1/2	20 7/8	20 3/8	130 (10 ga)
14	29	16 1/2	32 3/4	6 1/8	23 3/8	22 5/8	180 (7 ga)
16	32 1/2	18 1/2	36 1/8	7	26 1/8	25 3/8	220 (7 ga)
18	36	20 1/2	40 1/2	7 3/4	29	28 1/4	260 (7 ga)
20	39 1/2	22 1/2	44 3/4	8 1/2	31 7/8	31	300 (7 ga)
22	43	24 1/2	48 1/2	9 3/8	34 5/8	33 7/8	350 (7 ga)
24	46 1/2	27	53 3/8	9 1/4	38 1/8	36 1/4	500 (1/4")
26	50	29	57 1/8	10	41	39	800 (1/4")
28	53	31	60 7/8	10 7/8	43 7/8	41 3/8	900 (1/4")
30	54	31 7/8	62 7/8	9 7/8	45	41 5/8	1100 (1/4")



30°

3-Way Sealed Gravity Diverters

Dimensions



45°

Size	B	C	D	E	F	G	H	WT.	Material
4	18 1/4	9	24 7/8	17 3/8	18	16 1/4	12	100	10 ga
6	20 1/2	10 1/2	29 5/8	20 5/8	21	18	13 3/4	150	10 ga
8	24	12 1/2	35 3/8	24 5/8	25	21	15 3/4	200	10 ga
10	25 1/2	14	40 1/8	27 3/4	28	22	17 3/4	250	10 ga
12	28 1/2	16	46	31 3/4	32	24 1/2	19 3/4	300	10 ga
14	31 1/2	18	51 5/8	35 3/4	36	27	24	450	3/16
16	35	20	57 3/8	39 5/8	40	30	26	525	3/16
18	38 1/2	22	65 3/4	43 5/8	44	33	28	600	3/16

Size	B	C	D	E	F	G	H	WT.	Material
4	15 1/4	8	21 5/8	4 1/2	11 3/8	12 3/8	12	100	10 ga
6	18	9 3/4	26 5/8	4 3/4	13 3/4	14 1/2	13 3/4	150	10 ga
8	21	11 1/2	31 1/2	5 1/4	16 1/4	16 3/4	15 3/4	200	10 ga
10	23	13	35 7/8	5	18 3/8	18	17 3/4	250	10 ga
12	26	14 3/4	40 7/8	5 1/2	20 7/8	20 3/8	19 3/4	300	10 ga
14	29	16 1/2	45 1/4	6 1/8	23 3/8	22 5/8	24	450	3/16
16	32 1/2	18 1/2	51 1/8	7	26 1/8	25 3/8	26	525	3/16
18	36	20 1/2	58	7 3/4	29	28 1/4	28	600	3/16