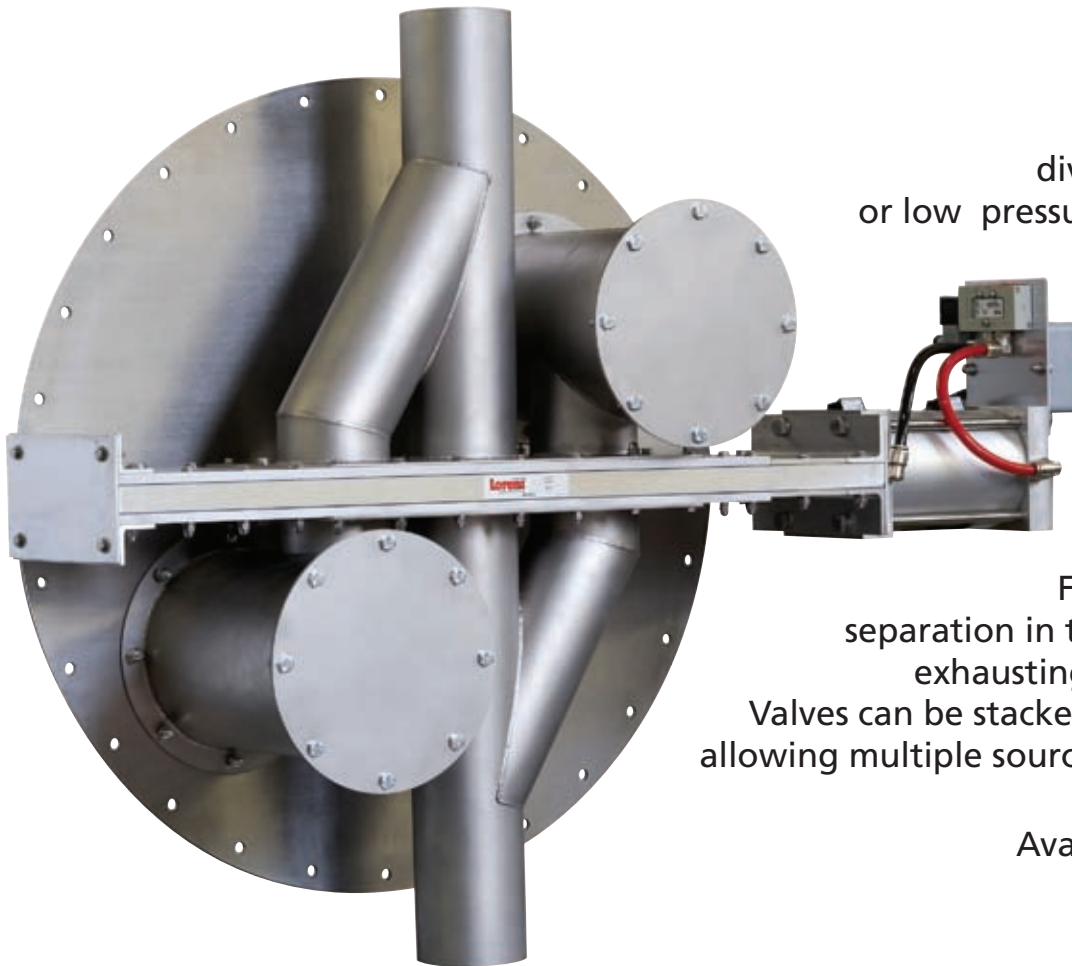


By Pass Load Diverter Series "F"

For Pneumatic Conveying Systems Applications



Pneumatic actuated
diverter valve for vacuum
or low pressure* conveying systems.

Fills hoppers via cyclonic
separation in the inlet load tube and
exhausting air in the outlet tube.
Valves can be stacked on top of each other
allowing multiple sources to multiple hoppers.

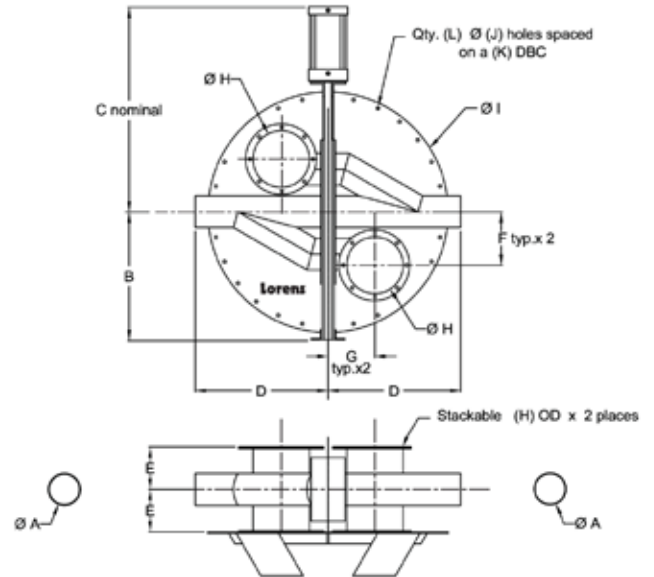
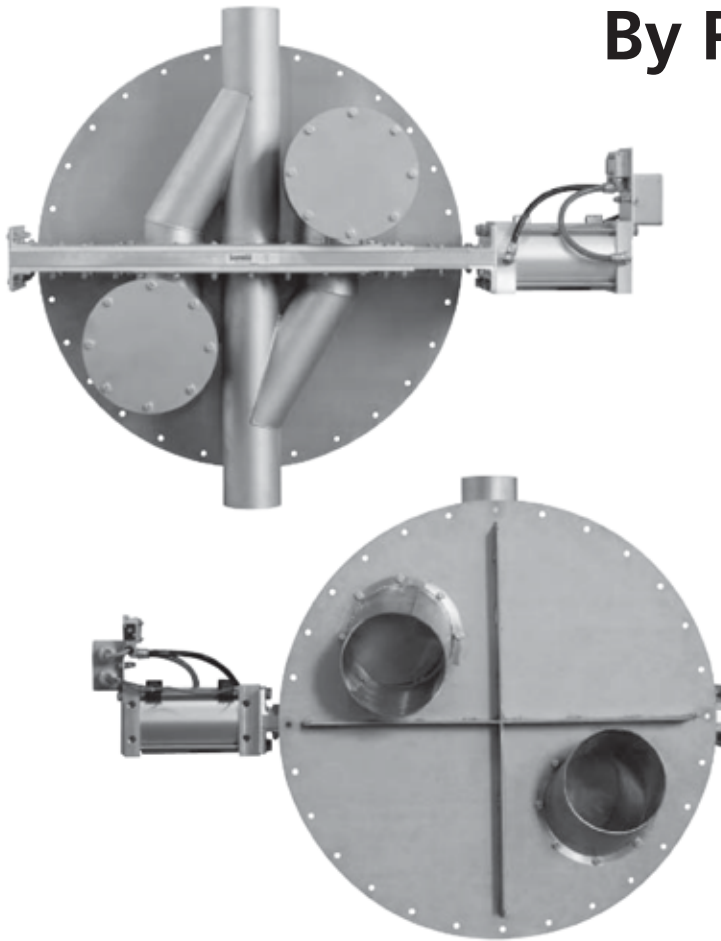
Available in sizes 2" to 8".

Standard Features.

- Stainless steel material contact points.
- Lightweight aluminum frame, corrosion resistant.
- Positive blade lock (PBL) between blade and cylinder rod.
 - Active compression seals (ACS).
- Internal magnetic piston cushioned air cylinder.
- Stacking design for multiple conveying lines.
 - Rated for 82oC (180oF).

We deliver what we promise on time every time!

By Pass Load Diverter



Size A	B	C	D	E	F	G	H	I	J	K	L
2"	10 3/4	20 7/16	11 7/8	3 1/2	6 1/2	6 5/8	6	30	7/16	28 1/2	24
2"	10 3/4	20 7/16	11 7/8	3 1/2	7 1/2	6 5/8	8	34	7/16	32 1/2	28
3"	12 1/2	24 7/16	13	4	6 1/2	6 5/8	6	30	7/16	28 1/2	24
3"	12 1/2	24 7/16	13	4	7 1/2	6 5/8	8	34	7/16	32 1/2	28
4"	14 13/16	26 3/4	15 5/8	5	6 1/2	6 5/8	6	30	7/16	28 1/2	24
4"	14 13/16	26 3/4	15 5/8	5	7 1/2	6 5/8	8	34	7/16	32 1/2	28
5"	18 1/8	28 15/16	17 5/8	6	7 1/2	6 5/8	8	34	7/16	28 1/2	24
6"	18 1/2	32 3/16	20 1/8	6 1/2	7 1/2	6 5/8	8	34	7/16	32 1/2	28
8"	25 3/8	43 1/4	23 1/8	7 1/2	11	9 1/8	10	48	9/16	46	30

Options

- 316 stainless material contact points.
- High temperature service.

We deliver what we promise on time every time!