

3 Way Slideflex Diverter Valve Series "P"

Pneumatic actuated Flex Valve for vacuum or low pressure* conveying systems.

Available in Sizes from 2" up to 8"OD.

Available with PVC, Rubber and Stainless Steel Hoses.

Inlets & Outlets available in Tube & Pipe Sizes in Stainless Steel and Aluminum.

*(Dilute phase up to 15 psig max).

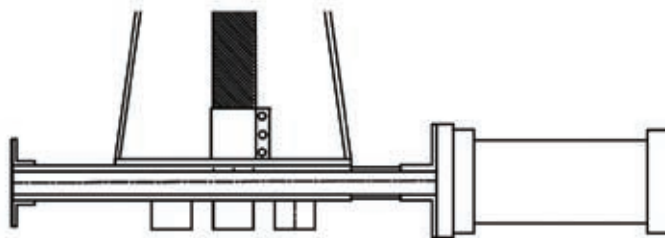
Standard Features

- Positive Blade Lock (PBL) Between Blade & Cylinder Rod.
 - Internal Magnetic Piston, Cushioned Air Cylinder.
 - Active Compression Seal (ACS).
 - Polished Stainless Steel Blade.
 - Light Weight Aluminum Body Construction.
 - Temperature Rated for up to 82°C (180°F).
- Double Acting or Single Acting Spring Return Solenoid.
 - NEMA4 Watertight & Dust Tight Electrics.
- Wall Thicknesses of 16, 14 & 11 Gauge, Schedule 10, 40 & 80.
 - Fully Tested Prior to Shipping.

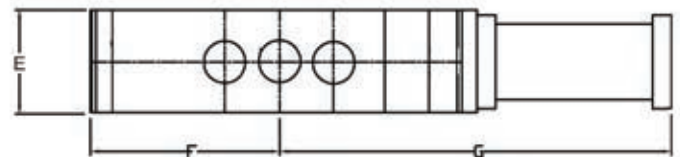
We deliver what we promise on time every time!

3 Way Slideflex

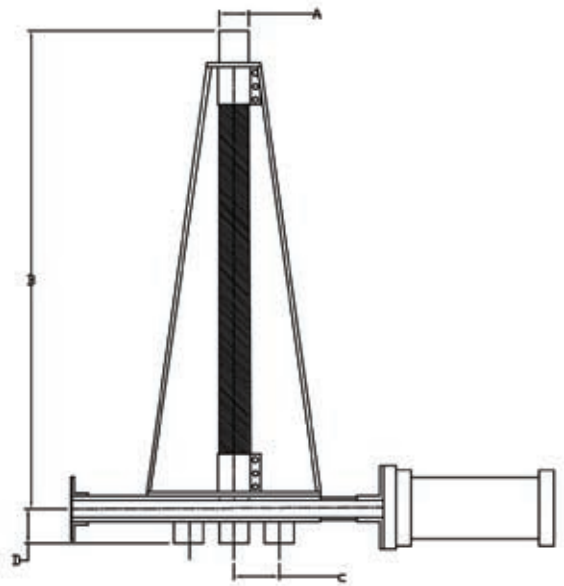
Diverter Valve Series "P"



Series P - Top View



Series P - Side View



Size	A	B	C	D	E	F	G	RUBBER HOSE I.D.	S.S. HOSE I.D.
2 OD	34	2 1/2	4	5	9 7/8	22	2	2	
2 3/16 OD	34	3 1/2	5	6	13	27	2	2	
2 3/8 OD	34	3 1/2	5	6	13	27	2 1/2	2 1/2	
2 1/2 OD	44	3 1/2	5	6	13	27	2 1/2	2 1/2	
2 7/8 OD	44	3 1/2	5	6	13	27	3	3	
3 OD	44	3 1/2	5	6	13	27	3	3	
3 1/2 OD	54	5	6	7	18 3/4	36	4	3 1/2	
4 OD	54	5	4	7	18 3/4	36	4	4	
4 1/2 OD	60	6	6	9	22	41 1/4	5	4 1/2	
5 OD	60	6	5	9	22	41 1/4	5	5	
5 9/16 OD	66	7	6	10	21 1/2	34 1/2	6	6	
6 OD	66	7	5	10	21 1/2	46 3/4	6	6	
6 5/8 OD	72	10	7	11	35	62 3/4	6	6	
8 OD	77 1/4	10	9	12	35 7/8	63 3/8	N/A	6	

Options

- Position Switches 5 Volt to 220 Volt AC/DC.
- Oversized Air Cylinders. Inlets/Outlets - Straight or Flanged Ends.
- High Temperature Modifications.
- Electric Actuator.
- Solenoids 110 Volt AC or 24 Volt DC.
- NEMA7-9 Hazardous Locations.
(Class I, Groups B, C&D, Class II, Groups E, F & G).
- Stainless Steel Hose.

We deliver what we promise on time every time!