

## 2 Way Slideflex Diverter Valve - Series "P"

Pneumatic actuated Flex Valve for vacuum or low pressure\* conveying systems.

Available in Sizes from 2" up to 8"OD.

Available with PVC, Rubber and Stainless Steel Hoses.



Inlets & Outlets available in Tube & Pipe Sizes in Stainless Steel, & Aluminum

\*(Dilute phase up to 15 psig max)

### Standard Features

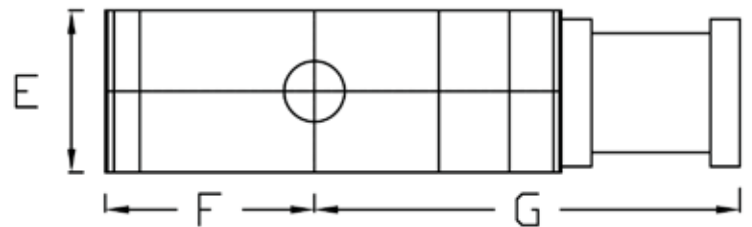
- Positive Blade Lock (PBL) Between Blade & Cylinder Rod.
  - Internal Magnetic Piston, Cushioned Air Cylinder.
    - Active Compression Seal (ACS).
    - Polished Stainless Steel Blade.
  - Light Weight Aluminum Body Construction.
  - Temperature Rated for up to 82°C (180°F).
- Double Acting or Single Acting Spring Return Solenoid.
  - NEMA 4 Watertight & Dust Tight Electrics.
- Wall Thicknesses of 16, 14 & 11 Gauge, Schedule 10, 40 & 80
  - Fully Tested Prior to Shipping

We deliver what we promise on time every time!

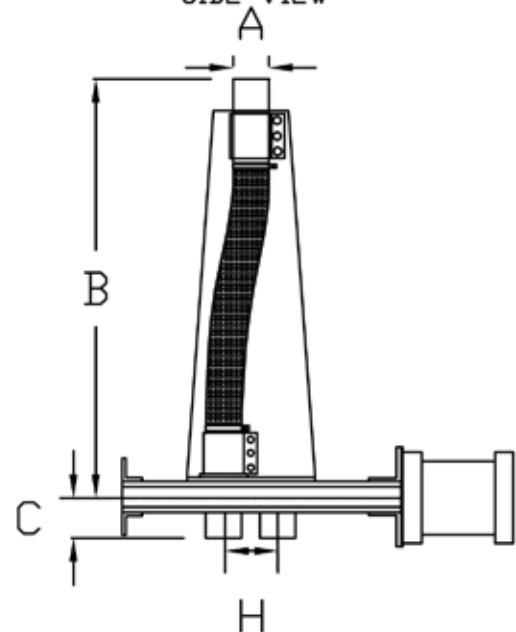
## 2 Way Slideflex Diverter Valve - Series "P"



SERIES P  
TOP VIEW



SERIES P  
SIDE VIEW



Size	A	B	C	E	F	G	H	RUBBER HOSE I.D.	S.S. HOSE I.D.
2 OD	30	4	5	5 3/4	14 3/4	2 1/2	2	2	
2 3/16 OD	34	5	6	7 3/4	18 3/8	3 1/2	2	2	
2 3/8 OD	34	5	6	7 3/4	18 3/8	3 1/2	2 1/2	2 1/2	
2 1/2 OD	34	5	6	7 3/4	18 3/8	3 1/2	2 1/2	2 1/2	
2 7/8 OD	34	5	6	7 3/4	18 3/8	3 1/2	3	3	
3 OD	34	5	6	7 3/4	18 3/8	3 1/2	3	3	
3 1/2 OD	44	6	7	10 1/2	22 3/4	5	4	3 1/2	
4 OD	44	4	7	10 1/2	22 3/4	5	4	4	
4 1/2 OD	48	6	9	12 3/4	26	6	5	4 1/2	
5 OD	48	5	9	12 3/4	26	6	5	5	
5 9/16 OD	60	6	10	14 3/4	29 1/8	7	6	6	
6 OD	60	5	10	14 3/4	29 1/8	7	6	6	
6 5/8 OD	61	7	11	21 3/8	38	10	6	6	
8 OD	68	9	12	20 7/8	38	10	N/A	8	

### Options

- Position Switches 5 Volt to 220 Volt AC/DC.
- Oversized Air Cylinders.
- Inlets/Outlets - Straight or Flanged Ends.
- High Temperature Modifications.
- Electric Actuator.
- Solenoids 110 Volt AC or 24 Volt DC.
- NEMA 7-9 Hazardous Locations.  
(Class I, Groups B, C&D, Class II, Groups E, F, & G).
- Stainless Steel Hose.

We deliver what we promise on time every time!