

2 Way Diverter Valves Series "D" – Straight Configuration



Pneumatic actuated 2 way diverter valve for vacuum or low pressure* conveying systems.

Available in Sizes from 2" up to 12"

**Inlets & Outlets available in Tube & Pipe Sizes
in Stainless Steel, Aluminum & Carbon Steel.**

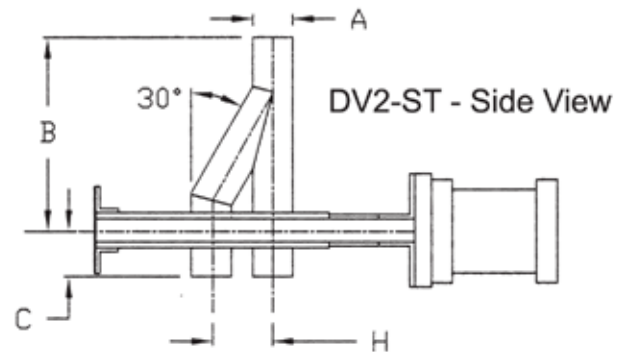
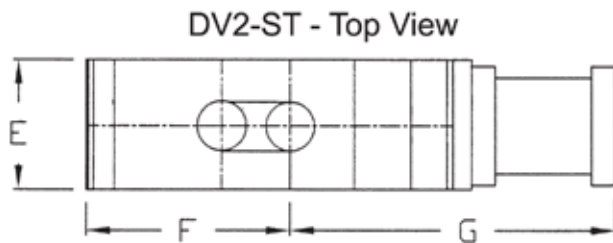
*(Dilute phase up to 15 psig max).

Standard Features

- Positive Blade Lock (PBL) Between Blade & Cylinder Rod.
 - Internal Magnetic Piston, Cushioned Air Cylinder.
 - Polished Stainless Steel Blade.
 - Active Compression Seals (ACS).
 - Lightweight Aluminum Body Construction.
 - Temperature Rated for up to 82°C (180°F).
- Double Acting or Single Acting Spring Return Solenoid or Manual Lever Valve.
 - NEMA 4 Watertight & Dust Tight Electrics.
- Wall Thicknesses of 16, 14 & 11 Gauge, Schedule 10, 40 & 80.
 - Fully Tested Prior to Shipping.

We deliver what we promise on time every time!

2 Way Diverter Valves Series "D" – Straight Configuration



Model number	Size A	B	C	E	F	G	H
DV2-200	2	9½	4	5	7	14½	2½
DV2-2375	2¾	10	5	6	9½	17¾	3½
DV2-250	2½	11½	4	6	9½	17¾	3½
DV2-2875	2⅞	11½	5	6	9½	17¾	3½
DV2-300	3	11½	4	6	9¼	17¾	3½
DV2-350	3½	17½	4	7	13	21	5
DV2-400	4	15½	4	7	13	21	5
DV2-450	4½	19	5	9	15¾	23½	6
DV2-500	5	17½	5	9	15¾	23½	6
DV2-5563	5⅑/16	22	7	10	18¼	27¾	7
DV2-600	6	20	5	10	18¼	27¾	7
DV2-6625	6⅝	20	7	11	26½	35¼	10
DV2-800	8	23	9	12	26½	37½	10
DV2-1000	10	29	9½	15¾	35	54½	12
DV2-1200	12	35	10	16	44	75	14

Dry, filtered & lubricated actuating air @ 80 PSIG minimum, 200 PSIG maximum recommended

Options

- Position Switches 110 Volt AC & 24 Volt DC.
- Proximity Switches.
- Oversized Air Cylinders.
- Valve Body Sealed for Air Purging.
- Inlets/Outlets - Straight or Flanged Ends.
- Manual Hand Wheel Operation.
- Special Seal Configurations.
- Solenoids 110 Volt AC or 24 Volt DC.
- NEMA 7-9 Hazardous Locations.
(Class I, Groups B, C&D, Class II, Groups E, F, & G)
- High Temperature Modifications.

We deliver what we promise on time every time!