

Lorenz Conveying Products Catalogue

Manufacturer of Pneumatic
Conveying Components.

| Version 12



Lorenz
Conveying Products
www.lorenzproducts.com

P.O. Box 1002
Cobourg, Ontario Canada K9A 4W4
Canada 1-800-263-1942
USA 1-800-263-7782
Tel. 905-372-2240 Fax 905-372-4456
sales@lorenz.ca

ISO 9001-2015 REGISTERED COMPANY

Table of Contents

COMPONENTS & ACCESSORIES

Clamps & Couplings	3-6
Bends, Fittings, Abrasion Solutions - Elbows, Flo-Lined, Ceramic Lining, Ceram Back®	7-10
Pick Up Wands, Rail Car Adapter, Angel Hair Traps, Probe Box	11-13
Cyclones	14
Air Vacuum Breaker, Air Pressure Diverter, Manifolds, Shutoffs, Camlocks	15-17
Hose, Tube & Pipe	18-19

VALVES & GATES

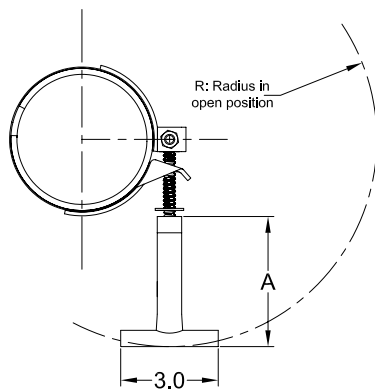
2, 3, 4 Way Diverter Valves	20-23
2, 3 Way Slide Flex Diverter Valves	24-25
Slide Gates	26-29
Discharge Valve	30-31
Easy Clean Slide Gate	32
Push-Pull Slide Gate	33
Maintenance Gate	34-35
Roller Gates	36-37
Sealed Gravity Diverters	38-40
Gravity Dual Control Gate	41
By Pass Load Diverter	42
Aggregate Diverters, Aggregate Control Gate	43-44
Multi Port Diverter Systems, Line Controllers	45
Options Valve & Gates	46-47
Valve Electrical Controls, Variable Centre Position, Infinite Position Controls	48
Application Chart	49
Customization	50
Iris Valve	51

Lorenz Clamp

Specially designed for closing on machinery like bins, hoppers, door openings, tanks, bucket elevators, manholes and surge bins.

Standard Features

- Manufactured of highly polished Stainless Steel
- No tools required
- Will not loosen through vibration
- Patented one piece unit - parts cannot be lost
- Thick mounting brackets make installation easy
- Full 2 inch adjustment
- Full 180° pivot when disengaged, no obstructions
- All Lorenz Clamps come with 'U' clips and bolts for installation



*Patented Canada 1025783

*Patented USA 4193173

MODEL	THREAD SIZE	A	R
250LC	1/4-20	3.50"	6.50"
250LCS	1/4-20	2.50"	4.50"
312LC	5/16-18	3.50"	6.50"
312LCS	5/16-18	2.50"	4.50"
375LC	3/8-16	3.50"	6.50"
375LCS	3/8-16	2.50"	4.50"
500LC	1/2-13	3.50"	6.63"
500LCS	1/2-13	2.50"	4.63"

Standard Couplings

Utilizing the Lorenz Clamp.

Quick Release Tube & Pipe Couplings

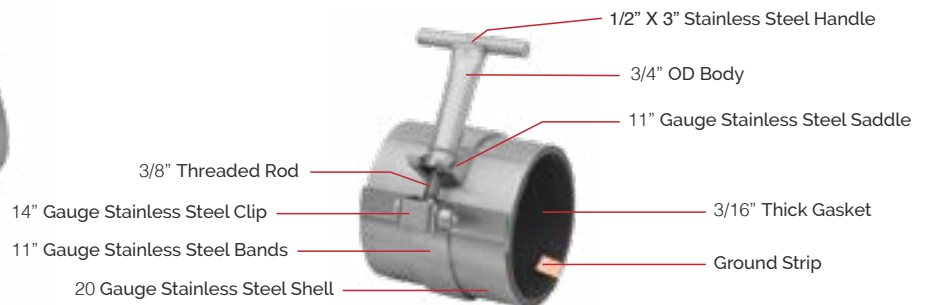


STANDARD COUPLING



HEAVY DUTY COUPLING

- Especially for use in bulk handling, vacuum or pneumatic conveying lines requiring frequent access
- Handle has positive lock that will not pop-off during vibration
- Saves money, reduces downtime
- Patented handle stays with coupling
- No tools required
- 100% Stainless Steel construction
- Drawn together by contraction rather than expansion which allows greater torque
- Thick 3/16" black Neoprene gasket and white Nitrile (food grade) gaskets are standard
- Silicone & Viton® available upon request
- **Standard 4" long | Heavy Duty 6" long**



OD	STANDARD COUPLING BLACK GASKET	HEAVY DUTY COUPLING BLACK GASKET
2"	2SB	2HDB
2.25"	225SB	225HDB
2.375"	237SB	237HDB
2.5"	25SB	25HDB
2.875"	287SB	287HDB
3"	3SB	3HDB
3.5"	35SB	35HDB
4"	4SB	4HDB
4.5"	45SB	45HDB
5"	5SB	5HDB
5.563"	556SB	556HDB
6"	6SB	6HDB
6.625"	662SB	662HDB
8"	8SB	8HDB

INTERMEDIATE SIZES AVAILABLE

Bolted Couplings

The dependable and economical method for connecting Pneumatic Conveying Tube & Pipe.

Standard Features

- Galvanized or Stainless Steel shells available
- Precision cut inner sleeves and gaskets
- Thick 1/8" black Neoprene gaskets standard
- White, silicone & Viton® gaskets available
- Thick stiffener bars provide added strength
- Stainless anti-static strips included
- Threaded bolts won't strip or break
- Replacement gaskets available
- Gasket protectors available upon request
- **Lengths - 2 bolt 4", 3 bolt 6", 4 bolt 8", 5 bolt 10"**



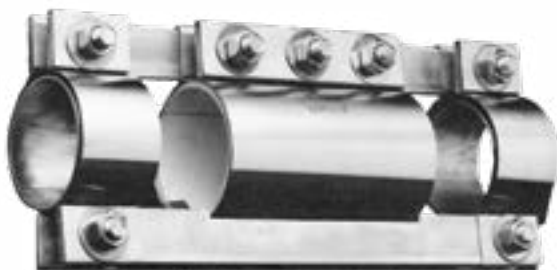
Neoprene - Our standard black gasket for Lorenz Couplings is perfect for most dry bulk conveying applications. Resists rotting and cracking from exposure to ozone. Temperature range (-40° to +200 F°) (-40° to +100°C).

White Nitrile - Excellent gasket for use in the food industry. Manufactured of high quality FDA approved ingredients (-40° to +200°F) (-40° to +100°C).

Silicone - For use in higher temperature applications. Silicone is odourless, tasteless, non-toxic and noncorrosive. Available for all Lorenz products (-60° to +450° F) (-50° to +230° C).

Viton® - Please consult factory for specific details regarding this product.

EXTENSION COUPLINGS FOR EXTRA HOLDING POWER



Extension kits are available for 3 & 4 bolt couplings from 2" OD up to 12" OD. Consult Lorenz for details.

OD	GALVANIZED BLACK GASKET	Stainless SHELL BLACK GASKET	100% Stainless BLACK GASKET
1.5"	15B3GB	15B3SSB	15B3XSB
1.75"	175B3GB	175B3SSB	175B3XSB
2"	2B3GB	2B3SSB	2B3XSB
2.25"	225B3GB	225B3SSB	225B3XSB
2.375"	237B3GB	237B3SSB	237B3XSB
2.5"	25B3GB	25B3SSB	25B3XSB
2.875"	287B3GB	287B3SSB	287B3XSB
3"	3B3GB	3B3SSB	3B3XSB
3.5"	35B3GB	35B3SSB	35B3XSB
4"	4B3GB	4B3SSB	4B3XSB
4.5"	45B3GB	45B3SSB	45B3XSB
5"	5B3GB	5B3SSB	5B3XSB
5.563"	556B3GB	556B3SSB	556B3XSB
6"	6B3GB	6B3SSB	6B3XSB
6.625"	662B3GB	662B3SSB	662B3XSB
8"	8B3GB	8B3SSB	8B3XSB
8.625"	862B3GB	862B3SSB	862B3XSB
10"	10B3GB	10B3SSB	10B3XSB
10.75"	1075B3GB	1075B3SSB	1075B3XSB

INTERMEDIATE SIZES AVAILABLE

Bag & Hose Clamps

Utilizing the Lorenz Clamp.

BAG CLAMP



HOSE CLAMP



Standard Features

- No tools required
- The convenient way to connect dust bags to spouts for easy removal
- One piece Stainless Steel construction prevents loss of parts
- 1" wide Stainless Steel band

When ordering bag and hose clamps, always specify the OD of the pipe or hose on which the clamp will be used, taking into consideration the resilience of the item being clamped. Fits size range $\pm 1/4"$. Any intermediate sizes not listed are also available.

OD	BAG CLAMP	HOSE CLAMP
3"	3LB	3LH
3.5"	35LB	35LH
4"	4LB	4LH
4.5"	45LB	45LH
5"	5LB	5LH
5.563"	556LB	556LH
6"	6LB	6LH
6.625"	662LB	662LH
8"	8LB	8LH
8.625"	862LB	862LH
10"	10LB	10LH
10.75"	1075LB	1075LH
12"	12LB	12LH

Seal Clamps

Standard Features

- 16 gauge thick 304 Stainless Steel band
- 4" long band lap
- 3/4" wide band
- 7" long x 1/2" bolt
- Range $\pm 3/4"$ in diameter
- Up to 4 draw points
- 11 gauge bands are available



SEAL CLAMP DRAW POINT SIZE CHART

SIZE RANGE OD	DRAW POINTS
12" to 48"	1
48.001" to 96"	2
96.001" to 144"	3
144.001" to 192"	4

Tube & Pipe Bending

Aluminum, Carbon Steel, Stainless Steel & Galvanized.

Long and short radius Elbows for pneumatic conveying and vacuum conveying systems.

Internal mandrel bending equipment provides top quality bends from 1.5" up to 6.625" OD (outside diameter) covering all standard Tube & Pipe sizes. Selected materials specific to the conveying industry provide consistent, uniform and durable bends. 90°, 60°, 45°, 30° and 22.5° Elbows are manufactured for immediate delivery.

Custom offsets and custom bending available.



BENDING MATERIAL SPECIFICATIONS

	Aluminum	Stainless	Carbon
TUBING	6063-T1 Extruded	304/316 A554/A778/A249	ERW-FC A513
PIPE	6063-T1 Extruded	304/316 A312	Black ATSM A53

Wall thickness*: 16 gauge (.065"), 14 gauge (.083"), 11 gauge (.120"/.125"), schedules 10, 40, 80. *All specifications are for reference only.

ORDER BENDS BY

Outside diameter (OD), wall thickness, material, degree of bend, center line radius (CLR).

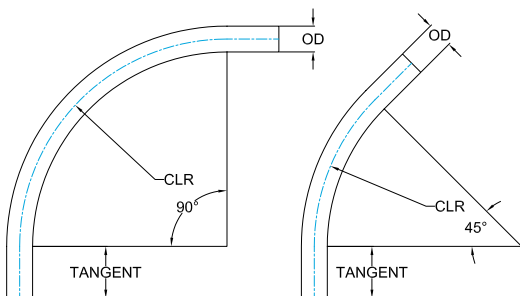
TUBE BENDING CAPABILITIES

OD	CENTRE LINE RADIUS (CLR INCHES)	GAUGE	WALL THICKNESS
1.5	6, 10, 11 3/4, 18, 24, 30, 36, 48	16 & 11	.065 & .120
1.75	10 1/4, 11 3/4, 18, 24, 30, 36, 48	16	0.065
2	7, 10 1/4, 11 3/4, 18, 24, 30, 36, 48	16 & 11	.065 & .120
2.125	10 1/4, 24, 36	16	0.065
2.25	11 3/4, 18, 24, 36, 48	16	0.065
2.5	10 1/4, 11 3/4, 18, 24, 30, 36, 48	16 & 11	.065 & .120
3	11 3/4, 18, 24, 30, 36, 48	16 & 14	.065 & .083
3	8 13/16, 11 3/4, 18, 24, 30, 36, 48	11	0.120
3.5	11 3/4, 18, 24, 30, 36, 48	11	0.120
4	30, 48	16	0.065
4	13 5/8, 18, 24, 30, 36, 48	11	0.120
4.5	18, 24, 30, 36, 48	11	0.120
5	30, 36, 48	11	0.120
6	36, 48	11	0.120

PIPE BENDING CAPABILITIES

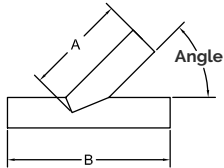
NOMINAL PIPE SIZE	OD	CENTRE LINE RADIUS (CLR INCHES)	SCHEDULE & WALL THICKNESS
1.5	1.9"	7 5/16, 10 1/4, 18, 24, 30, 48	40 (.145)
2	2.375"	6 7/8", 10 1/4, 11 3/4, 18, 24, 30, 36, 48	10(.109), 40(.154), 80(.218)
2.5	2.875"	11 3/4, 18, 24, 30, 36, 48	10(.120), 40(.203), 80(.276)
3	3.5"	8 13/16, 11 3/4, 18, 24, 30, 36, 48	10(.120), 40(.216), 80(.300)
3.5	4"	13 5/8, 18, 24, 30, 36, 48	10(.120), 40(.226), 80(.318)
4	4.5"	12", 18, 24, 30, 36, 48	10(.120), 40(.237), 80(.337)
5	5.563"	20", 30", 36, 48	10(.134), 40(.258), 80(.375)
6	6.625"	24", 30", 36, 48	10(.134), 40(.280), 80(.432)

* = SCHEDULE 40 & 80 ONLY, ^ = SCHEDULE 10 ONLY IN Aluminum

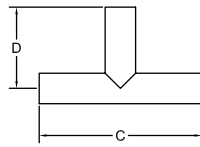


Pneumatic Fittings Specifications

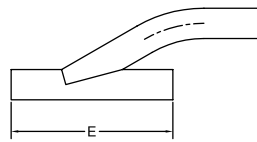
Mild Steel, Aluminum, Stainless Steel, Galvanized, all Tube & Pipe sizes.



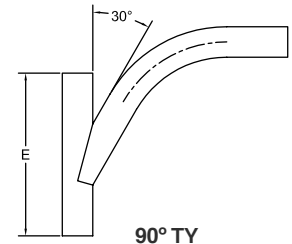
LATERAL



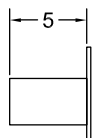
TEES



PARALLEL WYE

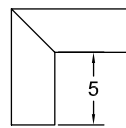


90° TY

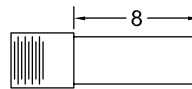


Matches 150 lb. flange pattern.

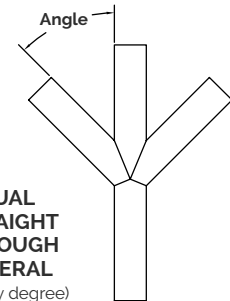
FLANGE TUBE ADAPTER
(specify sizes)



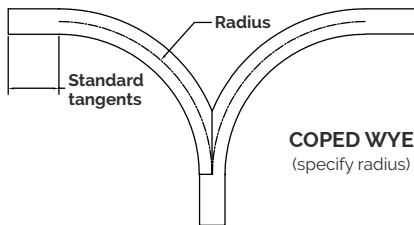
SQUARE 90°
(specify OD)



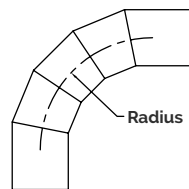
THREADED ADAPTER
(male & female)



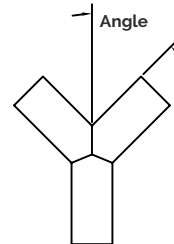
DUAL STRAIGHT THROUGH LATERAL
(specify degree)



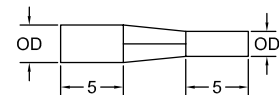
COPED WYE
(specify radius)



SEGMENTED ELBOW
(specify radius & number of segments)

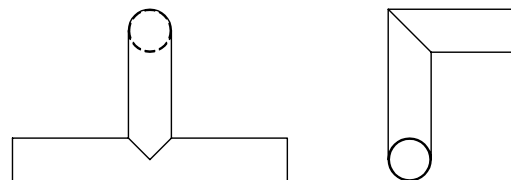


TRUE WYE
(specify degree)

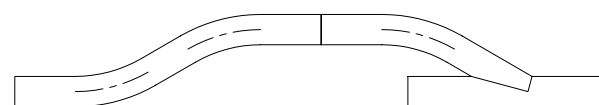


REDUCER
(specify outside diameters)

OD	30°		45°		60°		C	D	E
	A	B	A	B	A	B			
1.5"	10	16	10	16	8	14	12	6	16
1.75"	10	16	10	16	8	14	12	6	16
2"	10	16	10	16	8	14	12	6	16
2.25"	10	16	10	16	8	14	12	6	16
2.5"	12	18	10	16	8	16	16	8	16
3"	12	18	10	16	8	16	16	8	16
3.5"	16	24	12	20	12	24	16	8	20
4"	16	24	12	20	12	24	20	8	20
4.5"	18	26	16	24	16	24	24	10	24
5"	18	30	18	24	18	24	24	10	24
6"	24	36	20	30	20	30	24	10	30
8"	28	36	20	36	20	36	28	12	-



DROP LINE TEES



COMMON LINE DIVERTERS
(with PY Fitting)

Abrasion Solutions for Elbows

Longer wear life, reduces downtime, product waste & maintenance costs. Available in Carbon Steel, standard smooth flow Elbow sizes available.

Open Cavity Back Elbows

Double wall Elbow consisting of a standard bent Elbow, with an additional backing cavity constructed of 12 Gauge Carbon Steel welded in place. As the product stream wears through the Elbow it will fill the back cavity.

The product stream will then wear on the material trapped in the cavity instead of on the Elbow or backing Steel. Use where cross contamination is not an issue as cavity will hold material.



Options

- Concrete filled – for additional wear protection
- Stainless Steel construction
- AR400 Steel cavity

Replacement Back Elbows

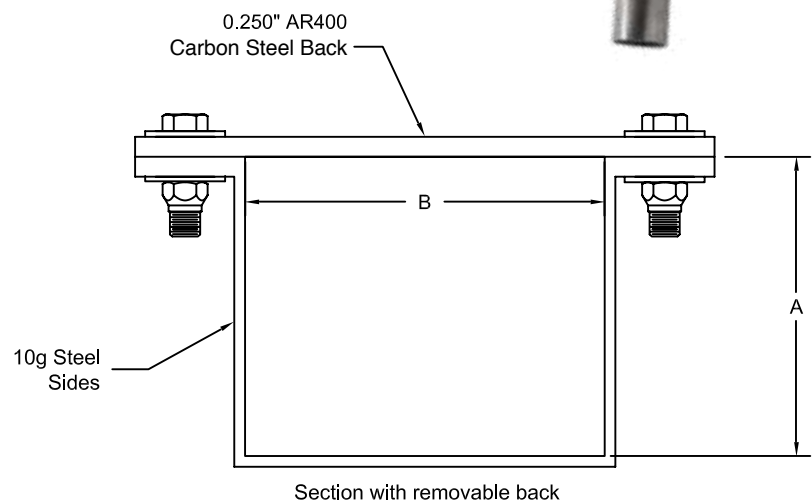
Single wall fully fabricated Elbow with square cross section. Carbon Steel construction with Abrasion Resistant (AR400) Steel Back (replaceable) and (AR100) Transitions.

Use where cross contamination is an issue. The convenience of replacing the back versus the entire Elbow offers a very economical and time saving solution.

Optional - Stainless Steel construction.



OD	A DIMENSIONS	B DIMENSIONS
3"	2.50	3.00
3.5"	2.94	3.50
4"	3.38	4.00
4.5"	3.75	4.50
5"	4.13	5.00
6"	4.38	6.00
8"	6.50	8.00
10"	8.00	10.00
12"	9.50	12.00
14"	11.25	14.00



Flo Lined

Treatment to Tube & Pipe for preventing "Angel Hair" & "Snake Skin" in plastics conveying systems.

Theory Behind "Flo Lining"

The interior of tube or pipe (11 ga. minimum) has a hammered finish applied to it. The finish is extremely irregular without the sharpness encountered in sandblasting. Testing has proven that the surface hardness increased as much as 10% due to the hammered stress.

Conveying lines which utilize Aluminum alloys will work harden therefore increasing the life of the textured surface. When originally tested the hammered finish scored so low that the tests were repeated several times to be certain that the generation of fines, fluff and streamers were consistent. *Aluminum or Stainless Steel Tube & Pipe are available for lining.

*Copy of report available upon request.



Ceramic Lining

Treatment to Tube & Pipe for reducing abrasion in conveying systems.

Process of "Ceramic Lining"

The Elbow or Fitting is cleaned. The Ceramic is pumped into the Elbow or Fitting and hot air dried. After the moisture is out of the Elbow it is placed in a furnace at 1560° to fuse the Ceramic on the interior of the Elbow. The hardness of the Ceramic is between 8-10 on the MoHs scale. This interior coating can be applied as a single coat (6-8 thou thick) or a double coat (10-12 thou thick). The Ceramic lining provides a long lasting interior on Elbows or Fittings to prevent abrasion. Carbon Steel is the preferred material to line. Stainless Steel can be done as well.

Other services available | Cement backed Elbows | Replacement Back Elbows



"Ceram Back"[®] Elbows & Fittings

The Ceram Back Elbow has a jacket across the back of the core Elbow which is approximately 1/2" of Ceramic compound. This compound has a MoHs hardness of 9+. The Ceramic jacket and core Elbow is then wrapped with an exterior material to maintain hoop strength. Once the core Elbow has worn through, the abrasion is transferred to the Ceramic outer jacket. The core also acts as a static conductor.



Pick Up Wands

For emptying containers of plastic pellets.
Powder version available upon request.

Traditional

- Aluminum construction 48" length c/w 6 air holes and stand off loop



OD	TRADITIONAL	DELUXE
1.5"	PT150A	PD150A
1.75"	PT175A	PD175A
2"	PT200A	PD200A
2.25"	PT225A	PD225A
2.5"	PT250A	PD250A
3"	PT300A	PD300A
3.5"	PT350A	PD350A
4"	PT400A	PD400A

ALSO AVAILABLE IN STAINLESS STEEL

Deluxe Air Intake Control

- Aluminum construction 58" length
- Adjustable air flow control c/w screen, stand off loop



Rail Car Adapter & Filter

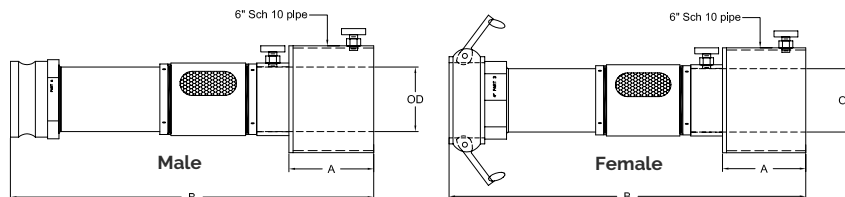
RAIL CAR ADAPTER



RAIL CAR FAR SIDE FILTER



MODEL NUMBER		DIMENSIONS		
CAMLOCK CONNECTIONS		OD	A	B
MALE	FEMALE			
RCP2AA	RCP2DA	2"	5.25	32.50
RCP25AA	RCP25DA	2.5"	5.25	32.50
RCP3AA	RCP3DA	3"	5.25	32.50
RCP4AA	RCP4DA	4"	5.25	22.50
RCP5AA	RCP5DA	5"	5.50	24.00
RCP6AA	RCP6DA	6"	7.00	24.00



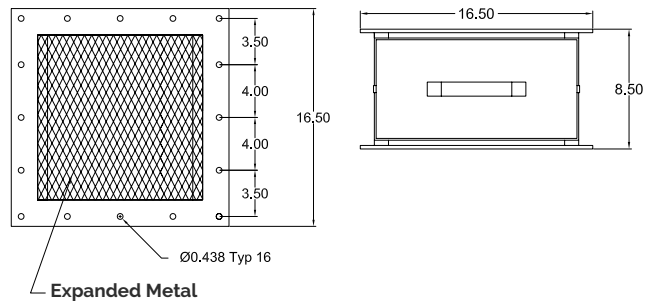
Angel Hair Trap

Angel Hair Traps collect "Angel Hair", "Streamers" or "Snake Skins" common in the conveying of plastic materials at the base of a silo or storage bin in gravity applications.

Standard Features

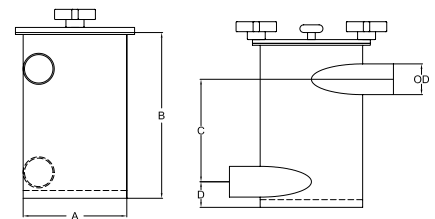


- Aluminum construction
- Low profile design is only 8.5" high
- Easy clean/removable screens available in Stainless Steel or Aluminum 3/4" expanded metal size (1/2" expanded metal optional)
- Standard unit mounts directly to 12" square bolt hole pattern Lorenz Maintenance Gates and Distribution (Probe) Boxes
- Optional 6" height available
- Custom sizes available



Inline Angel Hair Trap

Designed to mount in the material stream to collect "angel hair", "streamers" or "snake skins" while allowing the pellets to pass through.



Standard Features



- Eliminate downtime caused by Angel Hair and Streamers
- The clear viewing cover for level indication can be quickly removed for clean out
- For use in vacuum lines and pressure conveying systems
- Three standard body sizes are 8"-10" and 18" with line sizes from 1.5" OD up to 6" OD
- Body constructed of 12 gauge 304 Stainless Steel
- Connects to line with compression couplings
- Black knobs standard

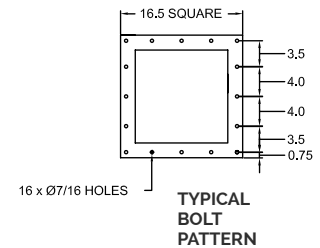
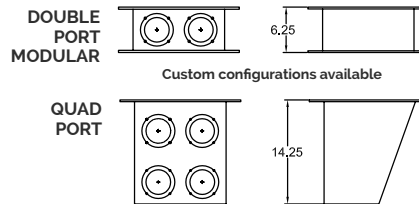
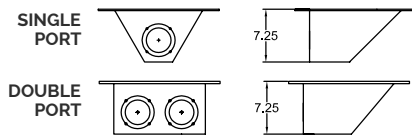
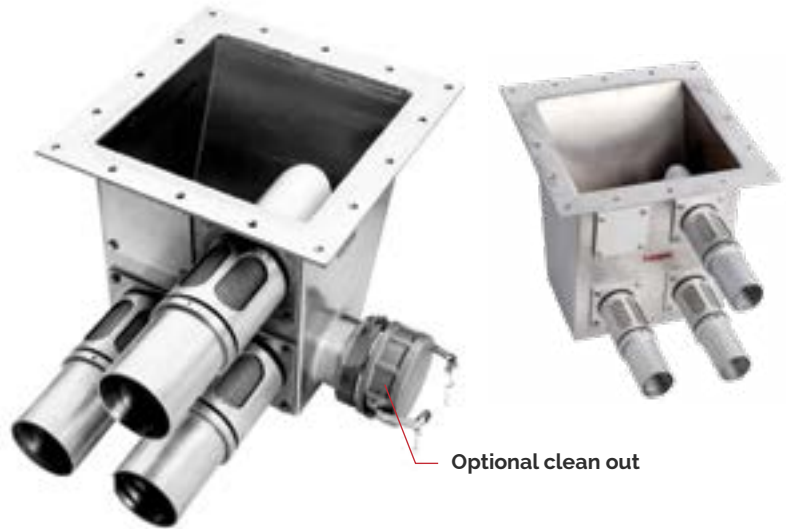
OD	A	B	C	D
1.5"	8.00	10.75	6.50	2.00
2"	8.00	10.75	6.50	2.00
2.5"	10.00	16.00	10.56	2.50
3"	10.00	16.00	10.00	2.50
3.5"	10.00	16.00	9.88	2.88
4"	10.00	16.00	9.88	3.13
4.5"	10.00	16.00	9.88	3.13
5"	18.00	23.50	15.75	3.50
5.563	18.00	23.50	14.50	4.00
6"	18.00	23.50	14.38	4.13
6.625"	18.00	23.50	14.44	4.31

Probe Box

For installation below a silo to allow direct routing of conveying lines. Multiple outlets available upon request.

Standard Features

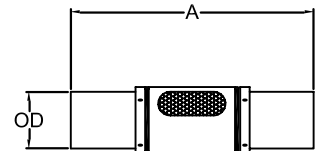
- Aluminum construction
- Modular construction
- Extensions may be added
- Optional, Stainless construction



Air Flow Control

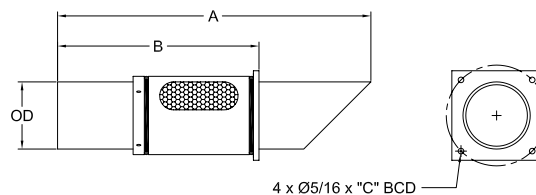


AL	SS	OD	A
AFC15A	AFC15S	1.5"	14.00
AFC175A	AFC175S	1.75"	14.00
AFC2A	AFC2S	2"	14.00
AFC25A	AFC25S	2.5"	14.00
AFC3A	AFC3S	3"	14.00
AFC35A	AFC35S	3.5"	14.00
AFC4A	AFC4S	4"	14.00



Horizontal Probe

- Horizontal Probe allows user to ratio incoming air for proper conveying performance
- Aluminum construction
- Stainless construction optional



AL	SS	OD	A	B	C
HP15A	HP15S	1.5"	13.00	9.00	4.50
HP175A	HP175S	1.75"	13.00	9.00	4.50
HP2A	HP2S	2"	13.25	9.00	4.50
HP25A	HP25S	2.5"	14.00	9.00	4.50
HP3A	HP3S	3"	14.00	9.00	4.50
HP35A	HP35S	3.5"	15.00	9.00	4.50
HP4A	HP4S	4"	17.00	10.50	6.50

Cyclones

High Efficiency (HE) Powders & Fine Materials

- Standard one piece construction
- Aluminum, Carbon Steel or Stainless Steel
- From 200 CFM to 3400 CFM
- Standard sizes available from 12" to 41"
- Scrolled Inlet/Outlet minimizes wear
- Standard mounting brackets
- Less turbulence, less resistance
- Optional 3 piece construction for easy cleaning
- Standard clockwise rotation



HIGH EFFICIENCY (HE) THREE PIECE

HIGH EFFICIENCY (HE) ONE PIECE

Normal Efficiency (NE) Pellets & Larger Materials

- Solid 1 piece construction
- Aluminum, Carbon Steel or Stainless Steel
- From 200 CFM to 3400 CFM
- "Straight In" Inlet/Outlet for heavier products
- Standard mounting brackets
- Top outlet can be piped to outside or dust collection
- Standard clockwise rotation



NORMAL EFFICIENCY

Options

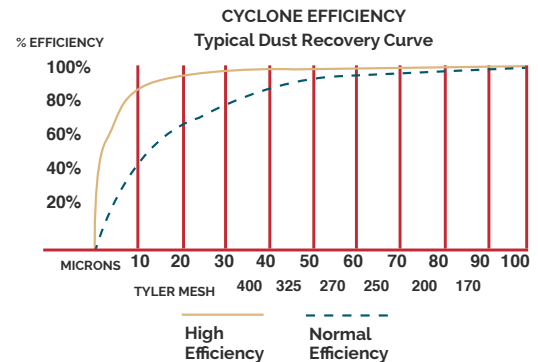
- Counter clockwise Inlets/Outlets (HE)
- Access/Clean out doors
- Multiple inlets
- Plain end & flanged Inlets/Outlets
- Rotating tops (HE)
- Perforated construction
- Wear liners



High efficiency (HE) Cyclone scroll Inlet/Outlet configuration



Normal Efficiency (NE) Cyclone Inlet/Outlet configuration



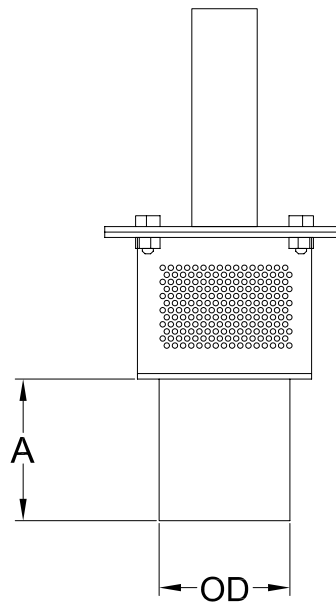
Customization available non-standard sizes and configurations

Air Vacuum Breaker (AVB)

Standard Features

- For breaking the vacuum in a system allowing air into the system
- Aluminum construction
- Air cylinder control

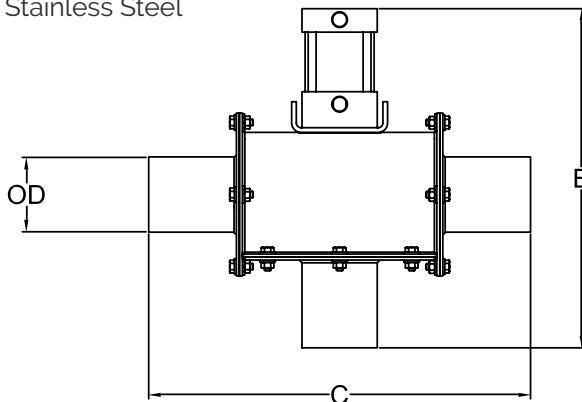
AL	SS	OD	A
AVB-200-AL	AVB-200-SS	2"	3.25
AVB-250-AL	AVB-250-SS	2.5"	3.25
AVB-300-AL	AVB-300-SS	3"	3.25
AVB-350-AL	AVB-350-SS	4"	4.00
AVB-400-AL	AVB-400-SS	4"	4.00



Air Pressure Diverter/Vacuum Valve (APD)

Standard Features

- For directing clean air from source to 2 lines
- Air only, no material in line
- Works up to 15 psig pressure/25" Hg (mercury) vacuum
- Standard – Carbon Steel painted
- Option – Stainless Steel

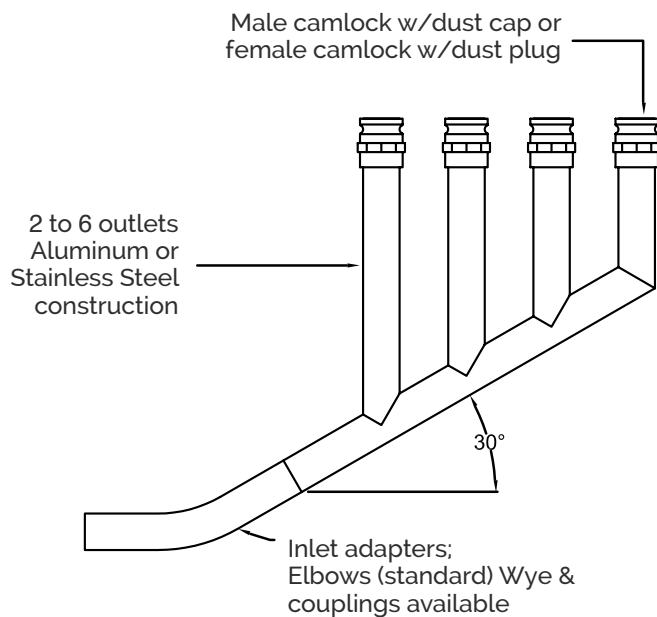
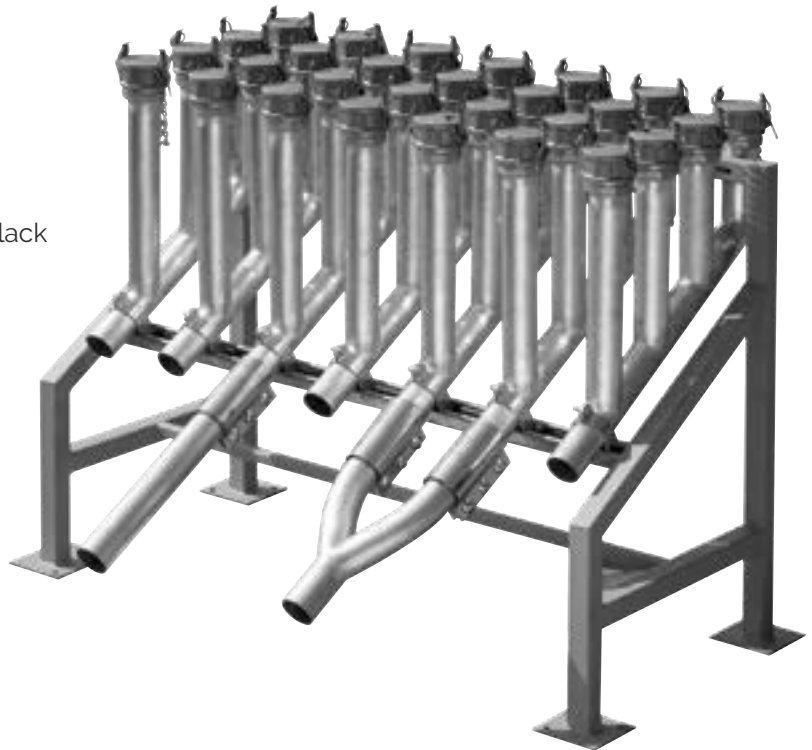


MODEL	OD	B	C
APD-200-CS	2"	15.00	15.25
APD-250-CS	2.5"	15.00	15.25
APD-300-CS	3"	15.00	15.25
APD-350-CS	3.5"	15.00	15.25
APD-400-CS	4"	15.00	15.25
APD-450-CS	4.5"	19.06	20.75
APD-500-CS	5"	19.06	20.75
APD-600-CS	6"	19.06	20.75

Manifold Station

Standard Features

- Open concept
- Aluminum or Stainless Steel 11g or 16g
- Stand is Carbon Steel construction - painted black
- Mounting channels allow for horizontal alignment of fan tail manifold modules with incoming/outgoing lines
- Two sizes of stands available
- FTMTF 30-5 – Can accommodate up to 5 Fan Tail Manifold Modules
- FTMTF 30-10 – Can accommodate up to 10 Fan Tail Manifold Modules
- Elbow to bring Inlet parallel with floor
- Bolted Couplings
- Optional, Mounting Tables
- Optional, Abrasion resistant options



Fan Tail Manifold Modules

- Available with 2 to 6 outlets
- Standard with universal Camlock type Fittings (Male or Female), with Dust Caps or Plugs
- Available in Aluminum or Stainless Steel
- 11g or 16g wall thickness
- Optional Inlet adapters
- Inlet Wye allows for more compact manifold units
- Elbow to bring Inlet parallel with floor
- Bolted Couplings

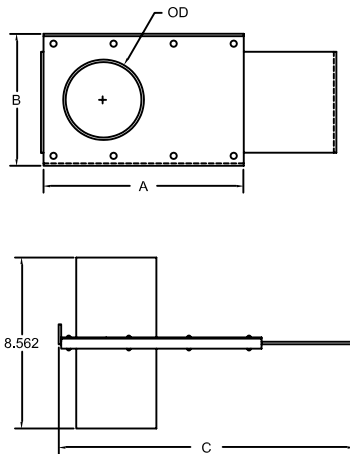
**Lorenz can custom build
your manifold configuration**

Shut Offs

Standard Features

- Unsealed shut off for gravity feed lines of pellets
- Aluminum, Carbon Steel or Stainless Steel construction
- Sizes 1.5" to 8" OD
- Hand or air cylinder actuated
- Intermediate sizes are available

OD	A	B	C
1.5"	5.00	4.00	7.00
2"	6.25	4.63	9.13
2.5"	8.00	5.50	11.25
3"	8.00	5.50	11.50
3.5"	10.00	6.63	14.75
4"	10.00	6.63	14.75
4.5"	11.00	7.13	16.25
5"	12.00	7.88	17.75
6"	14.00	9.88	20.50
8"	18.00	11.88	27.00



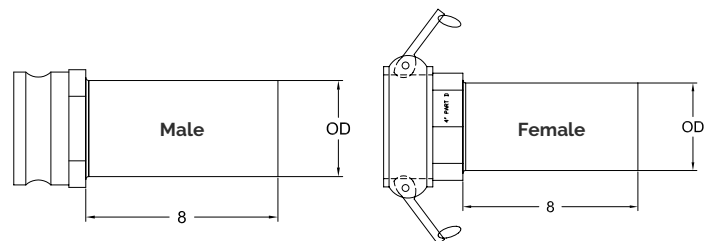
Camlocks

ALUMINUM CAMLOCKS, SIZES & PART NUMBERS, STAINLESS STEEL AVAILABLE



PART	1.5"	2"	2.5"	3"	4"	5"	6"
Part "A"	CL15A	CL2A	CL25A	CL3A	CL4A	CL5A	CL6A
Part "B"	CL15B	CL2B	CL25B	CL3B	CL4B	CL5B	CL6B
Part "C"	CL15C	CL2C	CL25C	CL3C	CL4C	CL5C	CL6C
Part "D"	CL15D	CL2D	CL25D	CL3D	CL4D	CL5D	CL6D
Part "E"	CL15E	CL2E	CL25E	CL3E	CL4E	CL5E	CL6E
Part "F"	CL15F	CL2F	CL25F	CL3F	CL4F	CL5F	CL6F
Part "DC"	CL15DC	CL2DC	CL25DC	CL3DC	CL4DC	CL5DC	CL6DC
Part "DP"	CL15DP	CL2DP	CL25DP	CL3DP	CL4DP	CL5DP	CL6DP

TUBE STUB ADAPTERS



Male & female camlocks available with stub to couple with tubing sizes

Hose Types/Properties

PVC Hose



- Clear, food grade, PVC, material-handling hose
- Smooth bore for better product movement
- Suction and discharge of pellets and powders
- Moderate abrasion resistance
- Temperature range -20°C to +65°C (-4°F to +150°F)
- 1.5" ID to 6" ID in 100' rolls or cut to length 10ft increments

PVC Static Hose



- Clear, food-grade, PVC hose with internal static wire
- Smooth bore for better product movement
- Suction and discharge of pellets and powders
- Moderate abrasion resistance
- Temperature range -20°C to +65°C (-4°F to +150°F)
- 1.5" ID to 6" ID in 100' rolls or cut to length 10ft increments

Stainless & Galvanized Steel Hose

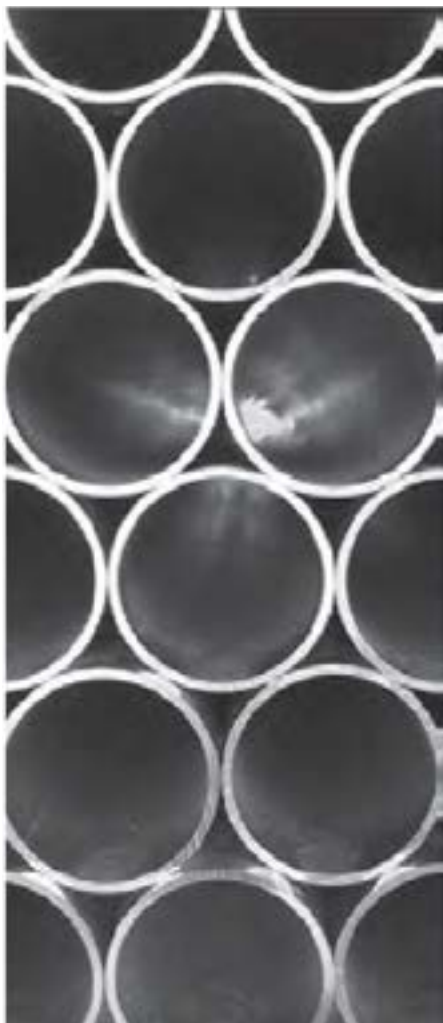


- Strip-wound and interlocked metal hose ideal for pneumatic and dry-bulk conveying
- Available with a smooth, abrasion-resistant metal liner for better product movement
- Directional flow for optimum performance
- Various end Fittings such as Flanges, Stub Ends and Camlocks
- 1.5" ID to 6" ID from 10' to 60' lengths

Consult factory for other types of hose not listed

Tube & Pipe Straights

Aluminum, Carbon Steel,
Stainless Steel & Galvanized.



Most sizes are
in stock and
ready to ship

Contact factory for
galvanized options

STANDARD TUBING

OD	WALL	Aluminum	Carbon	Stainless	GALVANIZED
1.5"	16g, .065	1516AT	1516CT	1516ST	*
1.75"	16g, .065	17516AT	17516CT	17516ST	*
2"	16g, .065	216ATNB	216CT	216ST	*
2	11g, .125	211ATNB	211CT	211ST	*
2.13"	16g, .065	N/A	212516CT	212516ST	212516GT
2.25"	16g, .065	22516AT	22516CT	22516ST	*
2.5"	16g, .065	2516ATNB	2516CT	2516ST	2516GT
2.5"	11g, .125	2511AT	2511CT	2511ST	*
3"	16g, .065	316ATNB	316CT	316ST	316GT
3"	11g, .125	311ATNB	311CT	311ST	*
3.5"	11g, .125	3511AT	3511CT	3511ST	*
4"	16g, .065	416AT	416CT	416ST	416GT
4"	11g, .125	411ATNB	411CT	411ST	*
4.5"	11g, .125	4511AT	4511CT	4511ST	*
5"	11g, .125	511AT	511CT	511ST	*
6"	11g, .125	611ATNB	611CT	611ST	*
8"	11g, .125	811AT	811CT	811ST	*

* CONSULT FACTORY

STANDARD PIPE

PIPE SIZE	OD	WALL	Aluminum	Carbon	Stainless	GALVANIZED
2 sch 10	2.375"	0.109	2S10AP	2S10CP	2S10SP	*
2 sch 40	2.375"	0.154	2S40AP	2S40CP	2S40SP	*
2.5 sch 10	2.875"	0.120	25S10AP	25S10CP	25S10SP	*
2.5 sch 40	2.875"	0.203	25S40AP	25S40CP	25S40SP	*
3 sch 10	3.5"	0.120	SEE STANDARD TUBING CHART			
3 sch 40	3.5"	0.216	3S40AP	3S40CP	3S40SP	*
3 sch 80	3.5"	0.300	*	3S80CP	3S80SP	*
3.5 sch 10	4"	0.120	SEE STANDARD TUBING CHART			
3.5 sch 40	4"	0.226	35S40AP	35S40CP	35S40SP	*
3.5 sch 80	4"	0.318	*	35S80CP	35S80SP	*
4 sch 10	4.5"	0.120	SEE STANDARD TUBING CHART			
4 sch 40	4.5"	0.237	4S40AP	4S40CP	4S40SP	*
4 sch 80	4.5"	0.337	4S80AP	4S80CP	4S80SP	*
5 sch 10	5.563"	0.134	5S10AP	5S10CP	5S10SP	*
5 sch 40	5.563"	0.258	5S40AP	5S40CP	5S40SP	*
5 sch 80	5.563"	0.375	*	5S80CP	5S80SP	*
6 sch 10	6.625"	0.134	6S10AP	6S10CP	6S10SP	*
6 sch 40	6.625"	0.280	6S40AP	6S40CP	6S40SP	*
6 sch 80	6.625"	0.432	*	6S80CP	6S80SP	*

* CONSULT FACTORY

2 Way Diverter Valves Series D



STRAIGHT CONFIGURATION - ST



WYE CONFIGURATION - Y

Available in sizes from
1.5" up to 12"

Pneumatic actuated
2 Way Diverter Valve for
vacuum or low pressure
conveying systems

Standard Features

- Manufactured for vacuum or dilute phase (15 PSI max) pneumatic conveying systems
- Unobstructed flow improves system performance and eliminates product degradation
- Install horizontally or vertically allowing simple system design
- Positive Blade Lock (PBL) between blade & cylinder rod
- Internal magnetic piston, cushioned air cylinder
- Polished Stainless Steel blade
- Active Compression Seals (ACS)
- Light weight Aluminum body construction
- Temperature rated for up to 82° C (180° F)
- Inlet/outlet wall thickness of 16, 14 & 11 gauge, schedule 10, 40 & 80
- Fully tested prior to shipping

Options

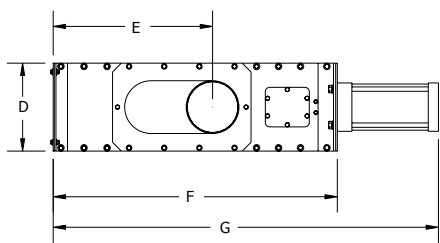
- Position switches 5 volt to 240 volt AC/DC
- Manual Hand Crank, Hand Wheel, Chain Wheel Operation
- Proximity Switches
- Oversized cylinders
- Valve body sealed for air purging when conveying powders
- NEMA 7-9 hazardous locations
- Inlets/Outlets - Aluminum, Carbon Steel or Stainless Steel with straight or flanged ends
- Double Acting or Single Acting Spring Return Solenoid (110 volt AC or 24 volt DC) or Manual Lever Valve
- High temperature modifications
- Electric actuation
- Pre-wired Terminal Boxes
- Ceramic Lined or Ceram Back® Inlets/Outlets
- Mufflers (Flow Control or Quick Exhaust)
- Vented Ball Valve (safety feature)
- Filter/Regulator/Lubricator

2 Way Diverter Valves

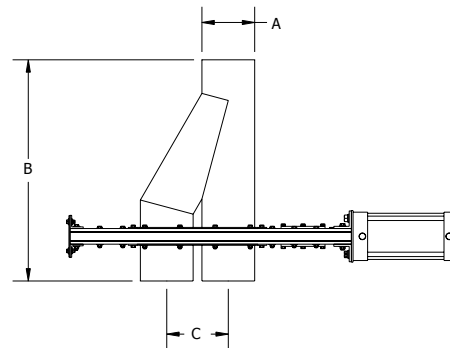
A (OD)	B (ST)	C	D	E (ST)	F	G	H (Y)	I (Y)
1.5"	13.53	2.50	5.00	6.88	14.00	20.25	11.27	5.63
2"	13.65	2.50	5.00	6.88	14.00	20.75	11.53	5.63
2.25"	15.65	3.50	6.00	9.40	18.38	26.13	12.03	7.65
2.375"	18.10	3.50	6.00	9.44	18.38	26.13	15.15	7.69
2.5"	15.65	3.50	6.00	9.44	18.38	26.13	12.03	7.69
2.875"	16.50	3.50	6.00	9.44	18.38	26.13	15.15	7.69
3"	15.53	3.50	6.00	9.44	18.38	26.13	12.62	7.69
3.5"	23.53	5.00	7.00	12.88	23.63	32.88	18.37	10.38
4"	19.53	5.00	7.00	12.88	23.63	32.88	14.46	10.38
4.5"	25.15	6.00	9.00	15.88	28.56	39.06	19.78	12.88
5"	22.65	6.00	9.00	15.88	28.56	39.06	18.38	12.88
5.563"	27.15	7.00	10.00	18.13	31.30	41.80	21.28	14.63
6"	25.15	7.00	10.00	18.13	32.30	43.80	19.77	14.63
6.625"	26.90	10.00	11.00	26.50	44.90	59.40	22.40	21.50
8"	32.15	10.00	12.00	25.84	44.30	58.80	28.15	20.84
8.625"	32.78	12.00	14.00	30.50	51.70	68.70	27.91	24.50
10"	38.50	14.00	15.75	35.25	59.30	78.30	31.28	28.25
10.75"	38.50	14.00	15.75	35.25	59.30	78.30	32.03	28.25
12"	42.70	17.00	16.50	41.31	68.75	90.75	33.91	32.81

Inlets & Outlets available in Tube & Pipe sizes in Stainless Steel, Aluminum & Carbon Steel

STRAIGHT CONFIGURATION - ST

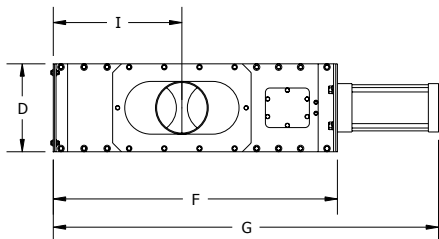


DV2-ST
Top view

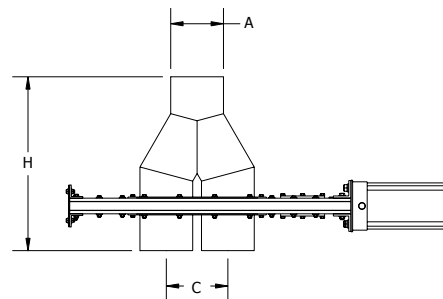


DV2-ST
Side view

WYE CONFIGURATION - Y



DV2-Y
Top view



DV2-Y
Side view

3 & 4 Way Diverter Valves Series D



3 WAY DIVERTER VALVES



4 WAY DIVERTER VALVES

**Inlets & Outlets
available in Tube & Pipe
sizes in Stainless Steel,
Aluminum & Carbon Steel**

Standard Features

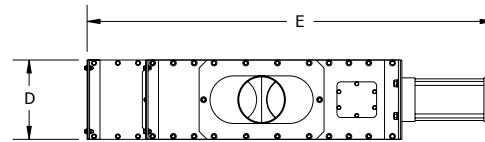
- Manufactured for vacuum or dilute phase (15 PSI max) pneumatic conveying systems
- Unobstructed flow improves system performance and eliminates product degradation
- Install horizontally or vertically allowing simple system design
- Positive Blade Lock (PBL) between blade & cylinder rod
- Internal magnetic piston, cushioned air cylinder
- Polished Stainless Steel blade
- Active Compression Seals (ACS)
- Light weight Aluminum body construction
- Temperature rated for up to 82° C (180° F)
- Inlet/Outlet wall thickness of 16, 14 & 11 gauge, schedule 10, 40 & 80
- Fully tested prior to shipping

Options

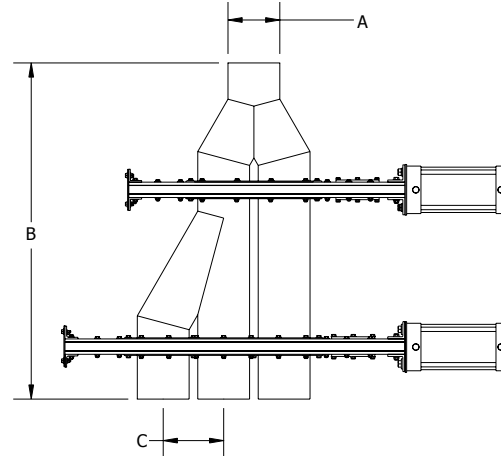
- Position switches 5 volt to 240 volt AC/DC
- Manual Hand Crank, Hand Wheel, Chain Wheel Operation
- Proximity Switches
- Oversized cylinders
- Valve body sealed for air purging when conveying powders
- NEMA 7-9 hazardous locations
- Inlets/Outlets - straight or flanged ends
- Double Acting or Single Acting Spring Return Solenoid (110 volt AC or 24 volt DC) or Manual Lever Valve
- High temperature modifications
- Electric actuation
- Pre-wired Terminal Boxes
- Ceramic Lined or Ceram Back® Inlets/Outlets
- Mufflers (Flow Control or Quick Exhaust)
- Vented Ball Valve (safety feature)
- Filter/Regulator/Lubricator

3 Way Diverter Valves

A (OD)	B	C	D	E
1.5"	19.17	2.50	5.00	23.63
2"	19.43	2.50	5.00	23.63
2.25"	21.91	3.50	6.00	29.75
2.375"	25.15	3.50	6.00	29.75
2.5"	22.03	3.50	6.00	29.75
2.875"	25.15	3.50	6.00	29.75
3"	23.50	3.50	6.00	29.75
3.5"	31.89	5.00	7.00	38.25
4"	27.61	5.00	7.00	38.06
4.5"	34.81	6.00	9.00	47.31
5"	33.40	6.00	9.00	47.31
5.563"	39.43	7.00	10.00	51.19
6"	38.90	7.00	10.00	51.19
6.625"	39.87	10.00	11.00	68.06
8"	46.62	10.00	12.00	68.62
8.625"	51.28	12.00	14.00	80.28



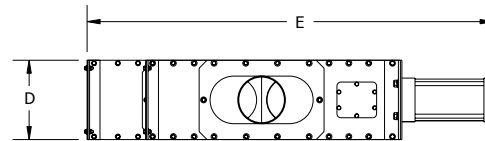
DV3
Top view



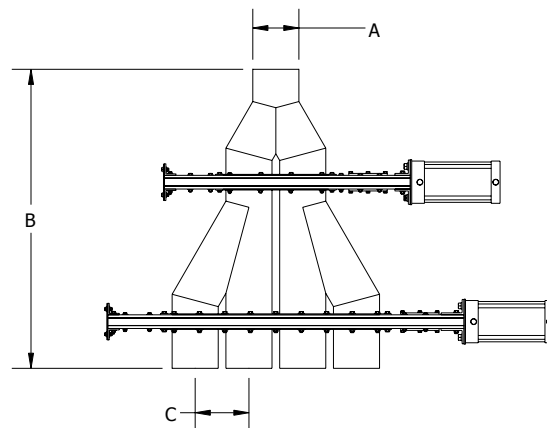
DV3
Side view

4 Way Diverter Valves

A (OD)	B	C	D	E
2"	19.43	2.50	5.00	26.13
2.25"	21.94	3.50	6.00	33.25
2.375"	25.18	3.50	6.00	33.25
2.5"	22.02	3.50	6.00	33.25
2.875"	25.06	3.50	6.00	33.25
3"	23.40	3.50	6.00	33.25
3.5"	31.89	5.00	7.00	43.38
4"	27.61	5.00	7.00	43.38
4.5"	34.81	6.00	9.00	51.19
5"	33.40	6.00	9.00	51.19
5.563"	39.43	7.00	10.00	58.06
6"	38.92	7.00	10.00	58.19
6.625"	39.81	10.00	11.00	77.19
8"	46.62	10.00	12.00	78.50
8.625"	51.28	12.00	14.00	92.00



DV4
Top view



DV4
Side view

Available in sizes from 1.5" OD up to 8" sch pipe

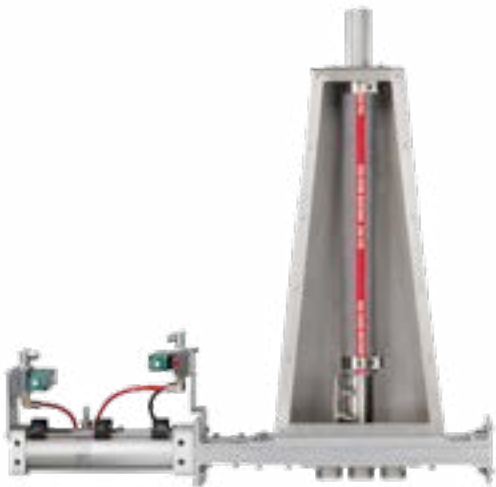
Pneumatic actuated 3 & 4 Way Diverter Valve
for vacuum or pressure* conveying systems

(*Dilute phase up to 15 psig max.)

2 & 3 Way Slideflex Diverter Valves Series P



2 WAY SLIDEFLEX DIVERTER VALVES



3 WAY SLIDEFLEX DIVERTER VALVES

Available in sizes
from 2" up to 8" OD

Standard Features

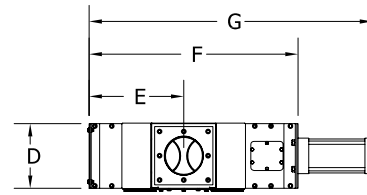
- Eliminate product cross contamination
- Manufactured for vacuum or dilute phase (15 psi max) pneumatic conveying systems
- Unobstructed flow improves system performance and eliminates product degradation
- Install horizontally or vertically allowing simple system design
- Stainless Steel Inlet/Outlets standard
- Oversized cylinders
- Positive Blade Lock (PBL) between blade & cylinder rod
- Internal magnetic piston, cushioned air cylinder
- Polished Stainless Steel blade
- Active Compression Seals (ACS)
- Light weight Aluminum body construction
- Temperature rated for up to 82° C (180° F)
- Inlet/Outlet wall thickness of 16, 14 & 11 gauge, schedule 10, 40 & 80
- Fully tested prior to shipping

Options

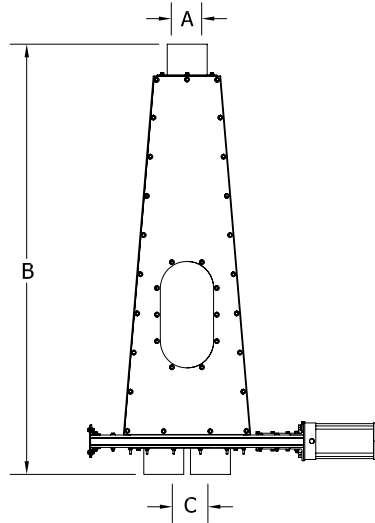
- Position switches 5 volt to 240 volt AC/DC
- Manual Hand Crank, Hand Wheel, Chain Wheel Operation
- Proximity Switches
- Inlets/Outlets - Aluminum, Carbon Steel or Stainless Steel with straight or flanged ends
- High temperature modifications
- Electric Actuation
- NEMA 7-9 hazardous locations
- Stainless Steel Hose (maximum 6")
- Double Acting or Single Acting Spring Return Solenoid (110 volt AC or 24 volt DC) or Manual Lever Valve
- Pre-wired Terminal Boxes
- Vented Ball Valve (safety feature)
- Filter/Regulator/Lubricator
- Mufflers (Flow Control or Quick Exhaust)

2 Way Slideflex Valve

A (OD)	B	C	D	E	F	G
2"	34.33	2.50	5.00	5.82	14.19	20.94
2.25"	39.25	3.50	6.00	7.65	18.38	26.13
2.375"	39.25	3.50	6.00	7.65	18.38	26.13
2.5"	39.13	3.50	6.00	7.66	18.38	26.13
2.875"	39.18	3.50	6.00	7.73	18.38	26.13
3"	39.50	3.50	6.00	7.72	18.38	26.13
3.5"	48.06	5.00	7.00	10.43	23.63	32.88
4"	48.06	5.00	7.00	10.43	23.63	32.88
4.5"	52.90	6.00	9.00	12.89	28.56	39.06
5"	53.02	6.00	9.00	12.91	28.56	39.06
5.5625"	65.14	7.00	10.00	14.64	32.31	43.81
6"	64.65	7.00	10.00	14.60	32.31	43.81
6.625"	75.18	10.00	11.00	21.47	44.90	59.44
8"	77.37	10.00	12.00	20.81	44.31	58.81



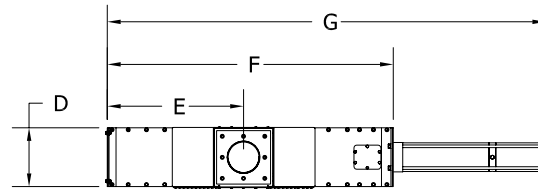
SF2
Top view



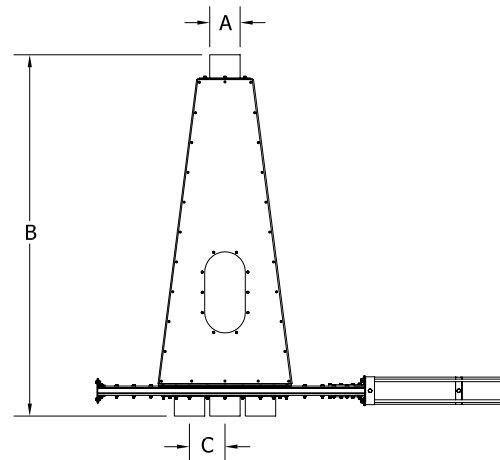
SF2
Side view

3 Way Slideflex Valve

A (OD)	B	C	D	E	F	G
2"	38.21	2.50	6.00	10.00	22.88	37.13
2.25"	49.21	3.50	7.00	13.03	28.69	45.94
2.375"	49.21	3.50	7.00	13.03	28.69	45.94
2.5"	49.21	3.50	7.00	13.03	28.69	45.94
2.875"	48.21	3.50	7.00	12.97	28.69	45.94
3"	48.21	3.50	7.00	12.97	28.68	45.94
3.5"	59.77	5.00	9.00	18.77	40.19	62.44
4"	58.27	5.00	9.00	18.77	40.19	62.44
4.5"	66.12	6.00	9.00	22.02	46.69	71.94
5"	65.12	6.00	9.00	22.02	46.69	71.94
5.5625"	72.18	7.00	11.00	25.25	53.02	81.27
6"	71.31	7.00	11.00	25.25	53.02	81.27
6.625"	87.94	7.25	11.00	25.31	53.81	82.81
8"	86.87	10.00	12.00	35.86	74.25	112.25



SF3
Top view



SF3
Side view

Slide Gates Series E

TPS



TUBE & PIPE STUBS [TPS]

LSP



LIGHTWEIGHT STUD PATTERN [LSP]

Standard Features

- Shut off dry bulk conveying lines under vacuum, pressure (dilute phase 15 psi max) or gravity
- Unobstructed flow improves system performance and eliminates product degradation
- Install horizontally or vertically allowing simple system design (vacuum or pressure lines only)
- Positive Blade Lock (PBL) between blade & cylinder rod
- Internal magnetic piston, cushioned air cylinder
- Polished Stainless Steel blade
- Active Compression Seals (ACS)
- Light weight Aluminum body construction
- Temperature rated for up to 82° C (180° F)
- Inlet/Outlet Aluminum, Carbon Steel or Stainless Steel 16, 14 & 11 gauge, schedule 10, 40 & 80
- Fully tested prior to shipping

Options

- Position switches 5 volt to 240 volt AC/DC
- Special Seal Configurations
- Proximity Switches
- Oversized cylinders
- Double Acting or Single Acting Spring Return Solenoid (110 volt AC or 24 volt DC) or Manual Lever Valve
- Valve body sealed for air purging when conveying powders
- High temperature modifications
- NEMA 7-9 hazardous locations
- Manual Hand Crank, Hand Wheel or Chain Wheel Operation
- Electric Actuation
- Special Service Inlet
- Pre-wired Terminal Boxes
- Mufflers (Flow Control or Quick Exhaust)
- Vented Ball Valve (safety feature)
- Filter/Regulator/Lubricator
- Variable/Infinite Position Controls

Slide Gates

TPS/LSP

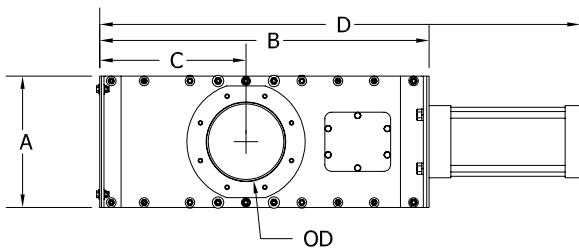
TPS OD	A	B	C	D	E (Qty) x 5/16-18 (LSP)	F	G - TPS
1.50"	5.00	11.75	4.69	17.97	4.0	3.88	8.06
2.00"	5.00	11.72	4.69	17.97	4.0	3.88	8.06
2.25"	6.00	14.47	5.75	21.72	4.0	3.88	8.06
2.38"	6.00	14.47	5.75	21.72	4.0	3.88	8.06
2.50"	6.00	14.47	5.75	21.72	4.0	3.88	8.06
2.88"	6.00	14.47	5.75	21.72	4.0	3.88	8.06
3.00"	6.00	14.63	5.88	21.88	4.0	5.00	8.06
3.50"	7.00	18.62	7.87	27.87	4.0	5.00	12.06
4.00"	7.00	18.62	7.87	27.87	6.0	5.50	8.06
4.50"	9.00	21.06	8.50	30.81	6.0	5.50	10.06
5.00"	9.00	23.25	10.16	34.00	8.0	6.50	10.06
5.56"	9.00	23.25	10.16	34.00	8.0	6.50	10.06
6.00"	10.00	25.06	11.13	35.56	8.0	7.50	10.06
6.63"	10.00	26.78	12.00	38.78	8.0	7.50	14.06
8.00"	12.00	31.06	14.13	44.56	8.0	9.50	18.06
8.63"	12.00	31.69	14.44	45.19	8.0	9.50	18.06
10.00"	14.00	37.56	17.38	53.06	8.0	11.50	18.06
10.75"	16.00	44.47	21.00	60.97	8.0	11.50	18.06
12.00"	16.00	44.72	21.00	62.22	12.0	13.81	18.06
12.75"	16.00	46.72	22.00	65.22	12.0	13.81	18.06
14.00"	18.00	50.25	23.78	69.75	12.0	16.00	18.06

Tube & Pipe Stubs

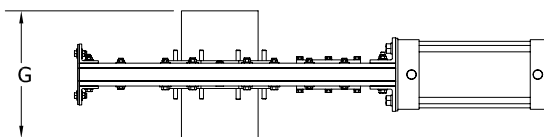
TUBE & PIPE STUBS FOR COMPRESSION COUPLINGS

Lightweight Stud Pattern

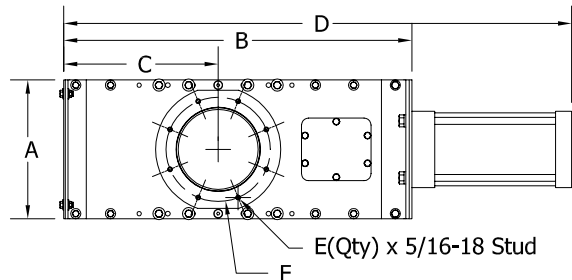
TPS Top view



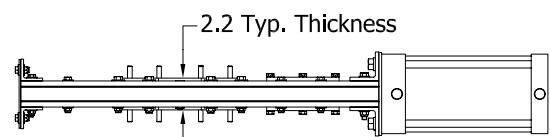
TPS Side view



LSP Top view



LSP Side view



Slide Gates Series E

SB



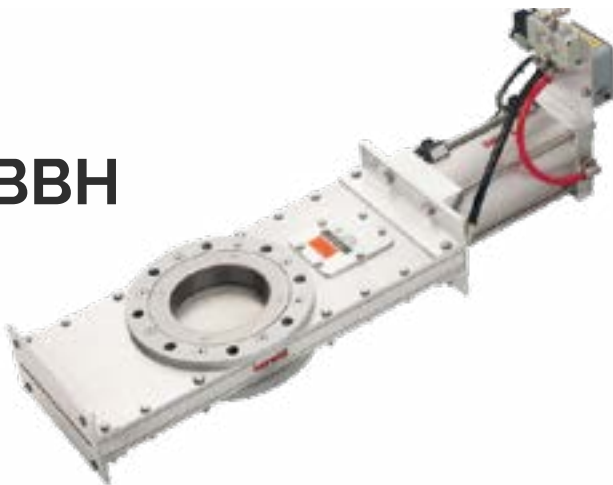
STUD BOLT [SBI]

BTV



BOLT THROUGH VALVE [BTV]

BBH



BLIND BOLT HOLE [BBH]

Standard Features

- Shut off dry bulk conveying lines under vacuum, pressure (dilute phase 15 psi max) or gravity
- Unobstructed flow improves system performance and eliminates product degradation
- Install horizontally or vertically allowing simple system design (vacuum or pressure lines only)
- Positive Blade Lock (PBL) between blade & cylinder rod
- Internal magnetic piston, cushioned air cylinder
- Polished Stainless Steel blade
- Active Compression Seals (ACS)
- Light weight Aluminum body construction
- Temperature rated for up to 82° C (180° F)
- Fully tested prior to shipping

Options

- Position switches 5 volt to 240 volt AC/DC
- Special Seal Configurations
- Proximity Switches
- Oversized cylinders
- Double Acting or Single Acting Spring Return Solenoid (110 volt AC or 24 volt DC) or Manual Lever Valve
- Valve body sealed for air purging when conveying powders
- High temperature modifications
- NEMA 7-9 hazardous locations
- Manual Hand Crank, Hand Wheel, Chain Wheel Operation
- Electric Actuation
- Special Service Inlet
- Pre-wired Terminal Boxes
- Mufflers (Flow Control or Quick Exhaust)
- Vented Ball Valve (safety feature)
- Filter/Regulator/Lubricator
- Variable/Infinite Position Controls

STUD BOLT [SBI] - 150lb. pipe flange pattern with studs for bolting to flanges.

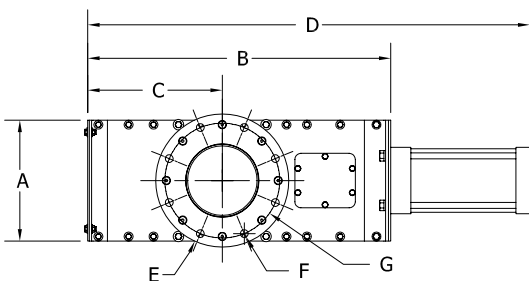
BLIND BOLT HOLE [BBH] - 150lb. pipe flange pattern with tapped holes for mounting between flanges.

Slide Gates

BBH/SB/BTV

SIZE	A	B	C	D	E	F	G	H	I	J
1.5"	5.00	11.75	4.69	17.97	5.00	4x1/2-13	3.88	3.10	4.63	2 x 0.44
2"	5.00	11.72	4.69	17.97	6.00	4x5/8-11	4.75	3.10	5.50	2 x 0.44
2.25"	6.00	14.47	5.75	21.72	6.00	4x5/8-11	4.75	3.10	5.50	2 x 0.44
2.375"	6.00	14.47	5.75	21.72	6.00	4x5/8-11	4.75	3.10	5.50	2 x 0.44
2.5"	6.00	14.47	5.75	21.72	7.00	4x5/8-11	5.50	3.10	6.25	2 x 0.44
2.875"	6.00	14.47	5.75	21.72	7.00	4x5/8-11	5.50	3.10	6.25	2 x 0.44
3"	6.00	14.63	5.88	21.88	7.50	4x5/8-11	6.00	3.10	6.75	2 x 0.44
3.5"	7.00	18.62	7.87	27.87	7.50	4x5/8-11	6.00	3.10	6.75	2 x 0.44
4"	7.00	18.62	7.87	27.87	9.00	8x5/8-11	7.50	3.10	7.50	4 x 0.44
4.5"	9.00	21.06	8.50	30.81	9.00	8x5/8-11	7.50	3.10	7.50	4 x 0.56
5"	9.00	23.25	10.16	34.00	10.00	8x3/4-10	8.50	3.10	9.00	4 x 0.56
5.563"	9.00	23.25	10.16	34.00	10.00	8x3/4-10	8.50	3.10	9.00	4 x 0.56
6"	10.00	25.06	11.13	35.56	11.00	8x3/4-10	9.50	3.10	10.00	4 x 0.56
6.625"	10.00	26.78	12.00	38.78	11.00	8x3/4-10	9.50	3.10	10.00	4 x 0.56
8"	12.00	31.06	14.13	44.56	13.50	8x3/4-10	11.75	3.10	12.00	4 x 0.56
8.625"	12.00	31.69	14.44	45.19	13.50	8x3/4-10	11.75	3.10	12.00	4 x 0.56
10"	14.00	37.56	17.38	53.06	16.00	12x3/4-10	14.25	3.31	14.75	4 x 0.56
10.75"	16.00	44.47	21.00	60.97	16.00	12x3/4-10	14.25	3.31	14.75	4 x 0.56
12"	16.00	44.72	21.00	62.22	19.00	12x7/8-9	17.00	3.31	17.50	4 x 0.56
12.75"	16.00	46.72	22.00	65.22	19.00	12x7/8-9	17.00	3.31	17.50	4 x 0.56
14"	18.00	50.25	23.78	69.75	21.00	12x1-8	18.75	3.31	19.00	4 x 0.56

Stud Bolt & Blind Bolt Hole

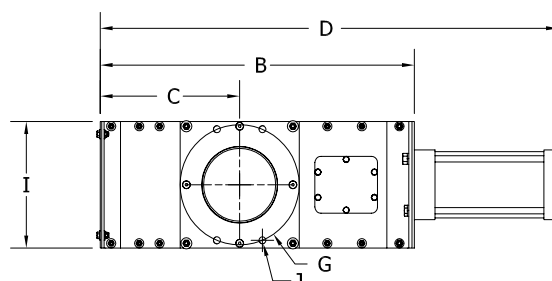


SB & BBH
Top view

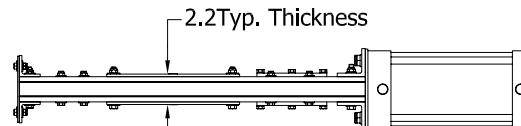


SB & BBH
Side view

Bolt Through Valve



BTV
Top view



BTV
Side view

Discharge Valves Series H



**Pneumatic actuated
discharge valve for
gravity flow applications**

**Blade sealed 15 psig top
to bottom when closed**

(DEPENDENT ON SIZE)

**For use above rotary airlock
to prevent pressure from
returning to hopper above**

Standard Features

- For applications requiring higher cycle frequencies
- Minimizes packing, shearing and material build up
- Square machined blade "dead ends" against the body of the valve allowing material to escape below
- Will vent air only (not product) from the perforated Steel on the bottom of the gate
- Positive Blade Lock (PBL) between blade & cylinder rod
- NEMA 4 watertight & dust tight electrics
- Active Compression Seals (ACS)
- Heavy duty 3/16" 304 Stainless Steel blade
- Temperature rated for up to 82° C (180° F)
- Mounts horizontally
- 304 Stainless Steel contact points
- Oversized, internal magnetic piston, cushioned air cylinder standard
- Fully tested prior to shipping

Options

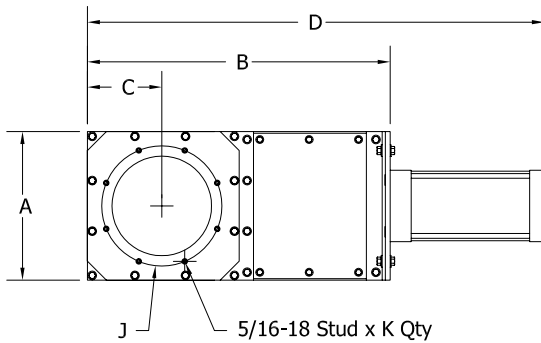
- Position switches 5 volt to 240 volt AC/DC
- Special Seal Configurations
- Proximity Switches
- Oversized cylinders
- Double Acting or Single Acting Spring Return Solenoid (110 volt AC or 24 volt DC) or Manual Lever Valve
- Valve body sealed for air purging when conveying powders
- High temperature modifications
- NEMA 7-9 hazardous locations
- Manual Hand Crank, Hand Wheel, Chain Wheel Operation
- Electric Actuation
- Pre-wired Terminal Boxes
- Mufflers (Flow Control or Quick Exhaust)
- Vented Ball Valve (safety feature)
- Filter/Regulator/Lubricator

Discharge Valves

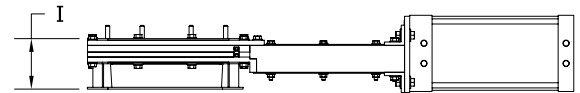
DCV

SIZE	A	B	C	D	E	F	G	H	I	J	K
6"	9.50	19.69	4.75	30.50	5.50	11.00	8	9.50	3.75	7.50	8
8"	11.75	23.94	5.88	37.00	5.50	13.50	8	11.75	3.75	9.50	8
10"	13.75	27.75	6.88	42.75	6.00	16.00	12	14.25	4.50	11.50	8
12"	15.75	32.19	7.88	49.75	6.88	19.00	12	17.00	5.13	13.81	12
14"	17.75	36.19	8.88	55.75	7.38	21.00	12	18.75	5.88	15.81	12
16"	19.75	39.75	9.88	61.25	7.88	23.50	16	21.25	6.38	18.00	16

Lightweight Stud Pattern Connection

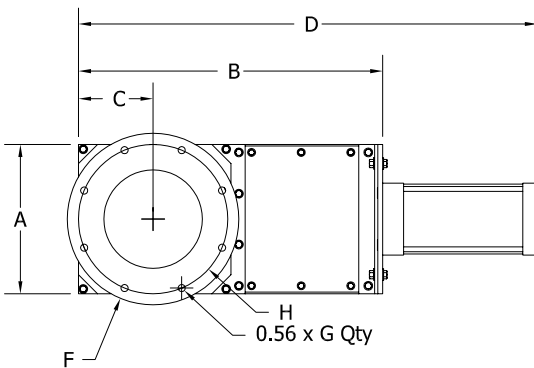


Top view

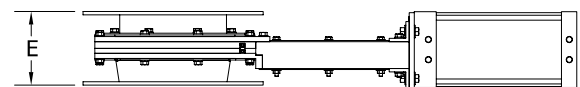


Side view

Pipe Flange Bolt Pattern Connection



Top view



Side view

Easy Clean Slide Gate Series K

Standard Features

- Easy and quick disassembly without tools for cleaning
- For gravity feed applications
- Tube Stub connection for compression couplings
- Pneumatic or Manual Actuation
- 304 Stainless Steel construction with UHMW pressure plates
- 2" inch to 8" Tube diameter
- Aluminum air cylinder with internal magnetic piston
- Temperature rated up to 82° C (180° F)
- Fully tested prior to shipping

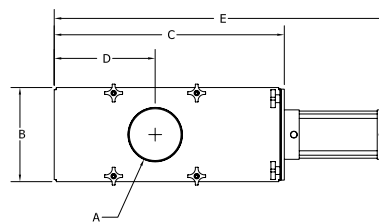


Options

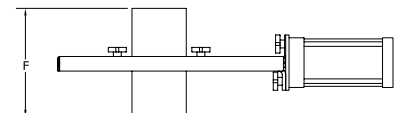
- Solenoids 110v AC or 24v DC
- Position switches 5v to 24v AD/DC
- Pre-wired Terminal Box
- PET, Teflon pressure plates
- 316 Stainless contact points
- Sanitary Ferrules
- Vented Ball Valve
- Mufflers (Flow Control or Quick Exhaust)

EZC

A (OD)	B	C	D	E	F
2"	5.50	12.63	4.75	19.38	8.00
2.5"	6.50	14.30	5.97	22.10	8.00
3"	6.50	14.30	5.97	22.10	8.00
4"	7.50	19.05	9.25	27.55	12.00
5"	9.50	24.12	10.25	34.63	12.00
6"	10.50	11.25	25.63	37.12	12.00
8"	12.75	31.75	14.19	42.25	18.00



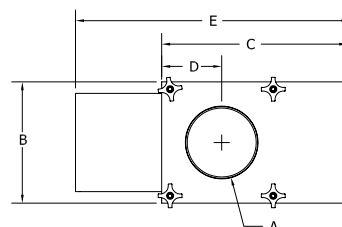
Top view



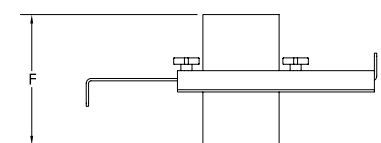
Side view

EZCPP

A (OD)	B	C	D	E	F
2"	5.50	5.62	2.00	9.00	8.00
2.5"	6.50	8.08	2.00	12.45	8.00
3"	6.50	8.08	2.50	12.45	8.00
4"	8.12	10.50	3.00	15.88	10.25
5"	9.12	12.98	4.00	19.36	10.25
6"	10.12	15.50	5.00	22.88	10.25
8"	12.75	20.31	7.00	29.69	10.25



Top view



Side view

Push-Pull Slide Gate Series E

Standard Features

- Stainless Steel material contact points
- Dust tight seals
- Lightweight Aluminum frame, corrosion resistant
- Rated for 82° (180°F)



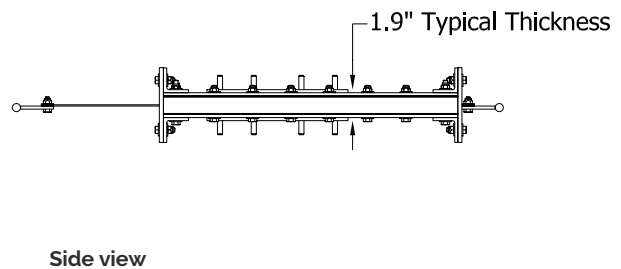
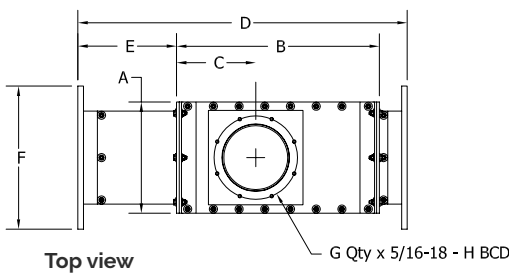
SIZE	A	B	C	D	E	F	G (qty) x 5/16-18	H	I	J (qty) x .563Ø	K
2"	5.50	8.75	3.88	16.25	5.00	8.63	4	3.88	5.50	2	4.75
3"	7.00	10.88	4.63	19.25	5.88	10.13	4	5.00	6.75	2	6.00
4"	8.00	13.00	5.00	22.50	7.00	11.13	6	5.50	7.50	4	7.50
5"	9.00	16.63	6.00	27.13	8.00	11.88	8	6.50	9.00	4	8.50
6"	10.00	18.25	7.13	29.75	8.88	12.88	8	7.50	10.00	4	9.75
8"	12.00	22.13	8.00	35.63	11.00	14.88	8	9.50	12.00	4	11.75
10"	14.00	26.25	9.00	41.75	13.00	16.88	8	11.50	14.75	4	14.25
12"	16.00	30.13	10.00	47.63	15.00	18.88	12	13.81	17.42	4	17.00

Options

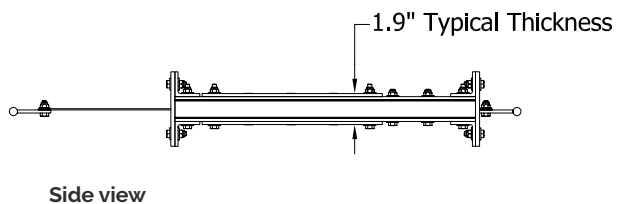
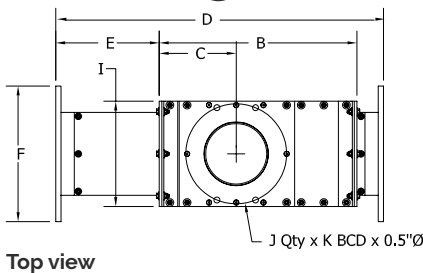
- 316 Stainless material contact
- High temperature service
- Tube Stub adapters
- Special Service Inlet

Available in sizes
2" to 12"

Lightweight Stud Pattern



Bolt Through Pattern



Maintenance Gates Series A

SQUARE



ROUND



Standard Features

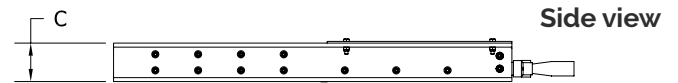
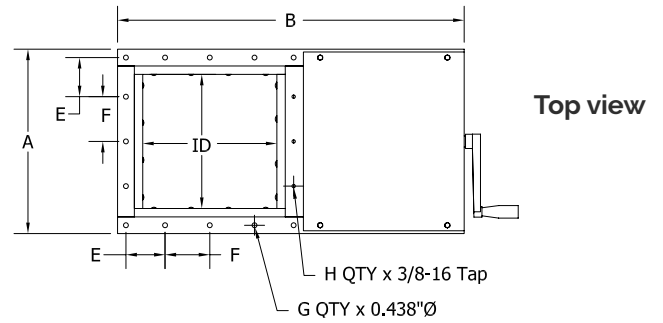
- Mount above airlocks or below bins and hoppers for periodic shutdown/maintenance
- Hand Crank actuated for vacuum, dilute phase pressure or gravity systems
- Polymer liner
- Square Gate - 304 Stainless Steel & polymer contact points & Stainless Steel blade
- Round Gate - 304 Stainless Steel, polymer & Aluminum contact points
- Narrow profile, lightweight Aluminum frame
- Constant pressure woven Teflon seals
- Fully lined interior
- Standard gate rated for 82° C (180° F)
- Fully tested prior to shipping

Options

- Air cylinders, hand wheel, electric or chain wheel actuation
- Stainless Steel construction
- Clear covers
- Special Service Inlet
- High temperature service (square model only)

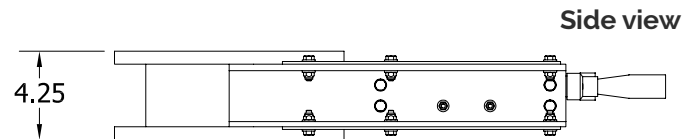
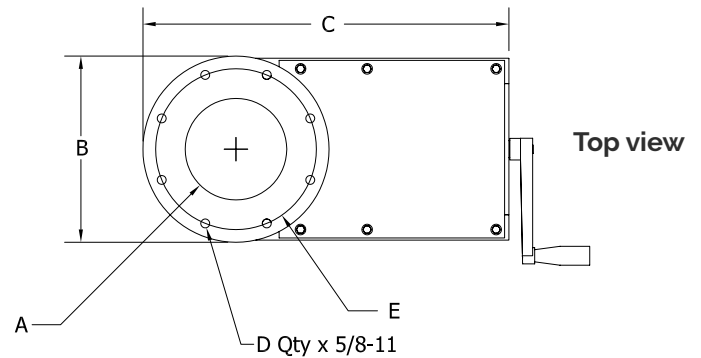
Square Orifice

SIZE (SQ ID)	A	B	C	E	F	G Qty x 0.438"Ø	H Qty x 3/8-16 Tap
6"	10.50	19.25	3.00	4.50	NA	7	1
8"	12.50	23.00	3.00	5.50	NA	7	1
10"	14.50	27.00	3.00	3.25	3.25	13	3
12"	16.50	31.00	3.00	3.50	4.00	13	3
14"	18.50	35.00	3.00	4.25	4.25	13	3
16"	20.50	39.00	3.00	4.75	4.75	13	3
18"	24.00	44.50	4.00	5.25	5.25	13	3
20"	26.00	48.50	4.00	5.75	5.75	13	3

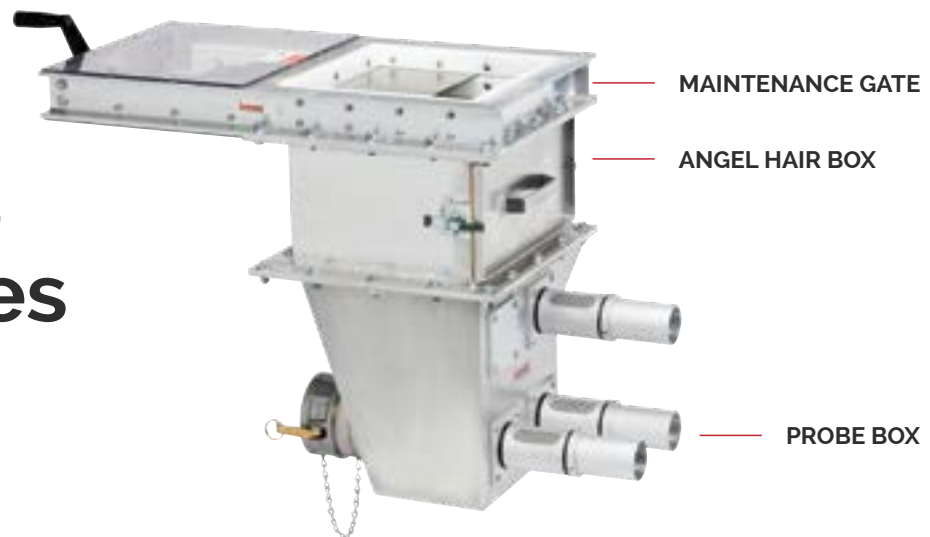


Round Orifice

A	B	C	D	E
6"	11.00	21.62	8	9.50
8"	13.50	26.75	8	11.75
10"	16.00	32.37	12	14.25
12"	19.00	37.62	12	17.00
14"	21.00	42.56	12	18.75
16"	23.50	47.81	16	21.25



Complete Assemblies



Roller Gates Series N

Standard Features

- Use in high cycle gravity flow applications
- Unobstructed orifice ensuring product does not hang up
- Positive blade lock (PBL) between blade & cylinder rod
- Internal magnetic piston, cushioned air cylinder
- Stainless Steel blade
- Narrow profile, light weight Aluminum frame
- Adjustable polymer cam rollers for dust tight seal on blade
- Constant pressure nylon seals on blade
- Fully lined polymer interior with Stainless Steel seal retainers
- Regular flange patterns or CEMA flanges to match screw conveyors
- Removable bonnet seal
- Standard gate rated for 82° C (180° F)
- Fully tested prior to shipping

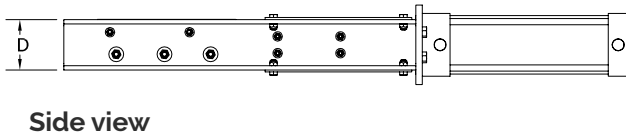
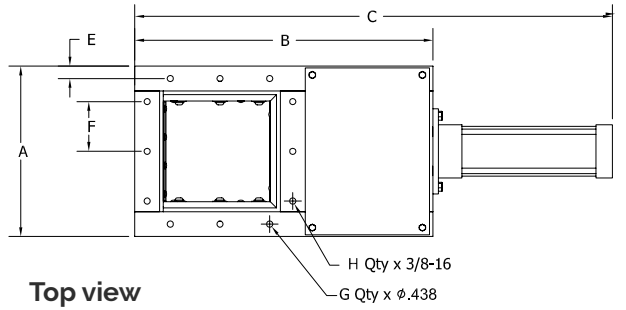


Dual Air Cylinder Roller Gates available as an option for space constraints

Options

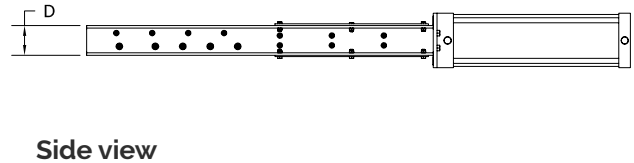
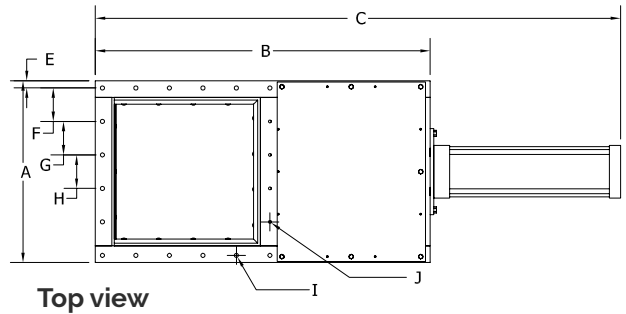
- Solenoids - single or double acting 110 volt AC & 24 volt DC NEMA 4 (available NEMA 7/9)
- Oversized air cylinders
- Pre-wired Terminal Boxes
- Hand wheel, hand crank, electric or chain wheel actuation
- Position switches mounted on air cylinder 5 volt to 240 volt AC/DC
- High temperature modifications available
- Stainless Steel construction
- Clear covers
- Special Service Inlet
- Vented Ball Valve (safety feature)
- Mufflers (Flow Control or Quick Exhaust)
- Filter/Regulator/Lubricator
- Variable or Infinite Position Controls
- Rectangular options available

Regular Flange



SIZE	A	B	C	D	E	F	G Qty x 0.44"Ø	H Qty x 3/8-16 Tap
6"	10.00	17.00	27.63	3.00	0.88	4.13	6	2
8"	12.00	21.00	33.63	3.00	0.88	3.50	9	3
10"	14.00	25.00	39.63	3.00	0.88	4.50	9	3
12"	16.00	29.00	45.63	3.00	0.88	2.75	15	5
14"	18.00	33.00	51.88	3.00	0.88	3.25	15	5
16"	20.00	37.00	57.88	3.00	0.88	3.75	15	5
18"	22.00	41.00	63.88	3.00	0.88	4.25	15	5
20"	24.00	45.00	69.88	3.00	0.88	3.00	21	7
22"	26.00	49.00	75.88	3.00	0.88	3.50	21	7
24"	29.00	NA	85.00	4.00	1.38	3.75	21	7
30"	35.00	NA	103.81	4.00	1.38	3.63	27	9
32"	37.00	NA	109.81	4.00	1.38	3.63	27	9
34"	39.00	NA	115.81	4.00	1.38	3.13	33	11
36"	41.00	NA	121.94	4.00	1.38	3.31	33	11

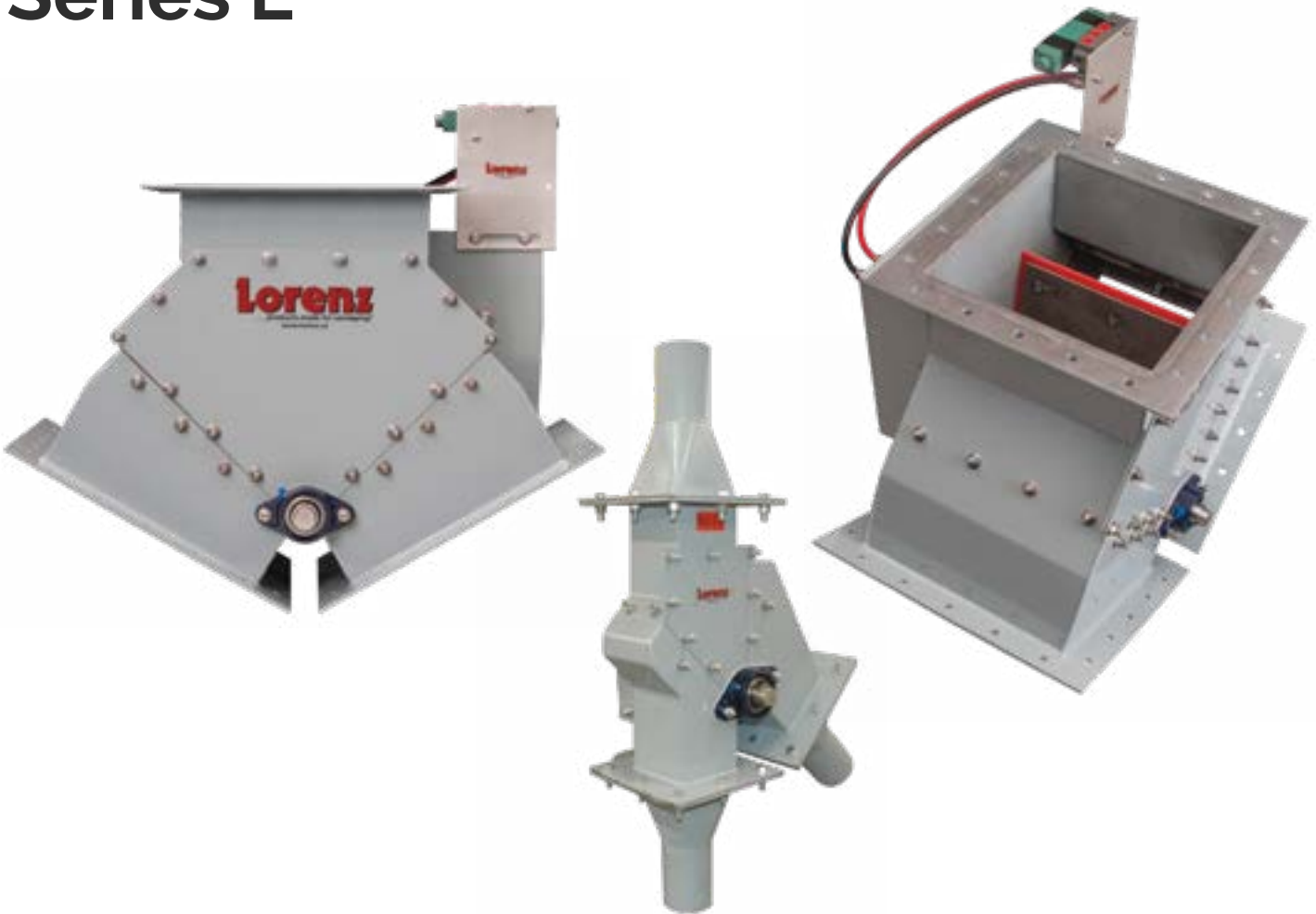
CEMA Flange



SIZE	A	B	C	D	E	F	G	H	I	J
7"	11.00	19.00	30.63	3.00	1.19	2.81	NA	3.00	10x.44	2x3/8-16
9"	14.00	25.00	39.63	3.00	1.00	4.00	NA	4.00	10x.44	2x3/8-16
11"	15.00	27.00	42.63	3.00	1.00	4.31	NA	4.38	10x.44	2x3/8-16
13"	17.00	31.00	48.62	3.00	0.75	5.13	NA	5.25	10x.44	2x3/8-16
15"	19.00	35.00	54.88	3.00	0.75	3.50	3.50	3.50	16x.44	4x3/8-16
17"	21.00	40.00	61.88	3.00	0.75	3.75	4.00	4.00	16x.44	4x3/8-16
19"	23.00	43.00	66.88	3.00	0.50	4.44	4.38	4.38	16x.56	4x1/2-13
21"	25.00	47.00	72.88	3.00	0.50	4.88	4.75	4.75	16x.56	4x1/2-13
25"	30.00	NA	88.50	4.00	1.00	5.63	5.63	5.50	16x.56	4x1/2-13

**Aluminum
construction
standard**

2 Way Sealed Gravity Diverters Series L



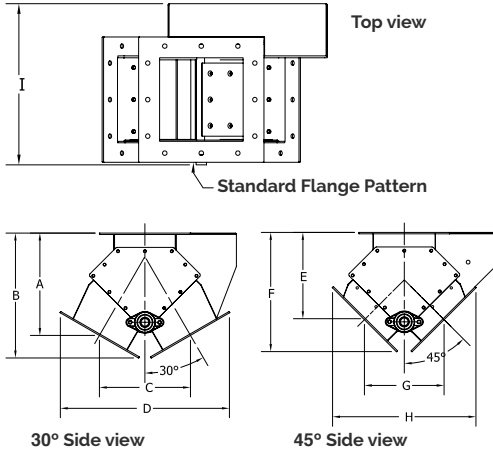
Standard Features

- For dry gravity flow applications providing a seal to the atmosphere
- Polymer blade seals prevent cross contamination
- Sizes 4" up to 30"
- Stainless Steel, Carbon Steel and Aluminum construction
- Square inlets and outlets
- Blade pocket protects leading edge of blade from wear and directs flow of material away
- Replaceable active compression shaft seal and urethane blade seal
- Suitable for up to 104°C (220°F)
- Removable door for cleaning and seal replacement

Options

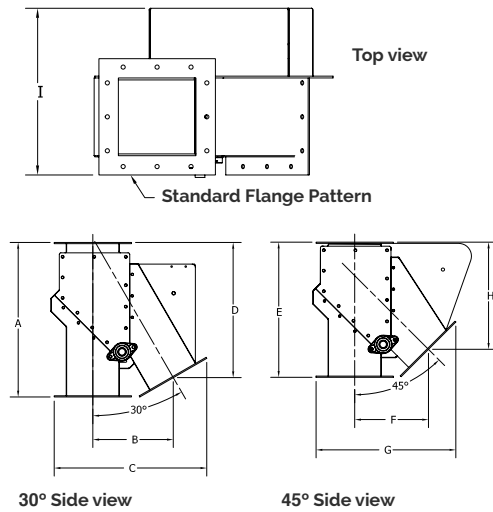
- Square to round transitions
- Quick access removable door for cleaning and seal replacement
- Solenoids - double or single acting 110 volt AC & 24V DC NEMA 4 (NEMA 7/9 available)
- Position switches mounted on air cylinder 5V-240V AC/DC
- Pre-wired Terminal Boxes
- Vented Ball Valve (safety feature)
- Mufflers (Flow Control or Quick Exhaust)
- Filter/Regulator/Lubricator
- High temperature modifications
- Electric actuation
- Manual Hand Lever actuation

Y Configuration



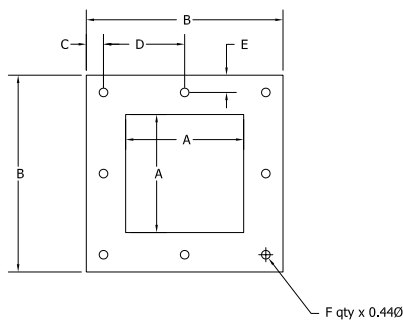
OD	A	B	C	D	E	F	G	H	I-Width
4"	10.50	12.50	9.00	15.93	9.00	11.83	7.50	13.16	11.50
6"	11.50	14.00	10.00	18.66	10.25	13.79	9.00	16.07	13.50
8"	13.50	16.50	12.00	22.39	11.50	15.70	10.50	18.90	16.00
10"	15.00	18.50	13.50	25.62	13.00	17.91	12.00	21.81	18.00
12"	17.00	21.00	15.50	29.36	14.25	19.91	13.00	24.31	19.50
14"	19.00	23.50	17.50	33.09	15.75	22.11	14.50	27.23	21.50
16"	20.50	25.50	19.00	36.32	17.00	24.07	16.00	30.14	24.50
18"	21.50	27.00	21.00	40.05	19.00	26.78	19.00	34.56	25.50
20"	23.00	29.00	23.00	43.79	21.50	29.99	22.00	38.97	27.50
22"	25.00	31.50	25.00	47.52	23.00	32.19	24.00	42.39	29.50
24"	28.50	35.75	27.00	52.12	25.50	35.75	29.00	49.51	31.50
26"	30.00	37.75	29.00	55.85	27.00	37.25	31.00	51.51	33.50
28"	31.00	39.25	31.00	59.58	29.00	40.67	33.00	56.34	35.50
30"	33.00	41.75	33.00	63.31	30.50	42.87	35.00	59.75	37.50

ST Configuration



OD	A	B	C	D	E	F	G	H	I-Width
4"	15.25	8.00	15.46	13.25	15.25	8.00	14.83	12.42	11.50
6"	20.50	10.50	19.83	18.00	18.00	9.75	18.29	14.46	13.50
8"	24.00	12.50	23.70	21.00	21.00	11.50	21.74	16.76	16.00
10"	25.50	14.75	27.81	22.00	23.00	13.00	24.95	18.05	18.00
12"	28.50	16.00	30.87	24.50	26.00	14.75	28.30	20.34	19.50
14"	31.50	18.00	34.79	27.00	29.00	16.50	31.86	22.64	21.50
16"	35.00	20.00	38.66	30.00	32.50	18.50	35.57	25.43	24.50
18"	38.50	22.00	42.53	33.00	36.00	20.50	39.28	28.22	25.50
20"	42.00	24.00	46.39	36.00	39.50	22.50	42.99	31.02	27.50
22"	45.50	26.00	50.26	39.00	43.00	24.50	46.69	33.81	29.50
24"	49.00	32.00	59.06	41.75	46.50	27.00	51.75	36.25	31.50
26"	52.50	30.00	58.92	44.75	50.00	29.00	55.46	39.04	33.50
28"	56.00	32.00	62.79	47.75	53.00	31.00	59.17	41.33	35.50
30"	59.50	34.00	66.66	50.75	54.00	31.88	61.75	41.63	37.50

GDS Standard Flange Pattern

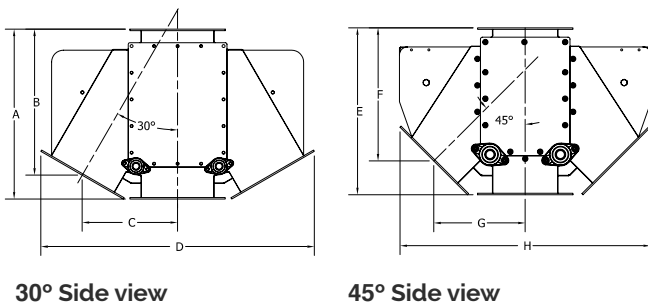
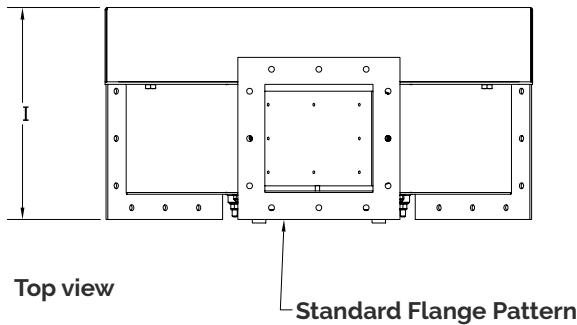


SIZE	A	B	C	D	E	F Qty	G
4"	4.00	8.00	0.88	3.13	0.88	8	0.44
6"	6.00	10.00	0.88	4.13	0.88	8	0.44
8"	8.00	12.00	2.50	3.50	0.88	12	0.44
10"	10.00	14.00	2.50	4.50	0.88	12	0.44
12"	12.00	16.00	2.50	2.75	0.88	20	0.44
14"	14.00	18.00	2.50	3.25	0.88	20	0.44
16"	16.00	20.00	2.50	3.75	0.88	20	0.44
18"	18.00	22.00	2.50	4.25	0.88	20	0.44
20"	20.00	24.00	3.00	3.00	0.88	28	0.44
22"	22.00	26.00	2.50	3.50	0.88	28	0.44
24"	24.00	29.00	3.25	3.75	1.38	28	0.44
26"	26.00	31.00	3.13	4.13	1.38	28	0.44
28"	28.00	33.00	3.75	4.25	1.38	28	0.44
30"	30.00	35.00	3.00	3.63	1.38	36	0.44

3 Way Sealed Gravity Diverters Series L

Standard Features

- For dry gravity flow applications providing a seal to the atmosphere
- Polymer blade seals prevent cross contamination
- Sizes 4" up to 18"
- Aluminum, Carbon Steel or Stainless Steel construction
- Square inlets and outlets
- Blade pocket protects leading edge of blade from wear and directs flow of material away
- Replaceable active compression shaft seal and urethane blade seal
- Suitable for up to 104°C (220°F)
- Removable door for cleaning and seal replacement



OD	A	B	C	D	E	F	G	H	I-Width
4"	15.25	12.42	8.00	21.66	15.25	12.42	8.00	21.66	11.50
6"	20.50	18.00	10.50	29.66	18.00	14.46	9.75	26.57	13.50
8"	24.00	21.00	12.50	35.39	21.00	16.76	11.50	31.49	16.00
10"	25.50	22.00	14.75	41.62	23.00	18.05	13.00	35.90	18.00
12"	28.50	24.50	16.00	45.75	26.00	20.34	14.75	40.73	19.50
14"	31.50	27.00	18.00	51.53	29.00	22.64	16.50	45.73	21.50
16"	35.00	30.00	20.00	57.32	32.50	25.43	18.50	51.14	24.50
18"	38.50	33.00	22.00	63.05	36.00	28.22	20.50	56.56	25.50

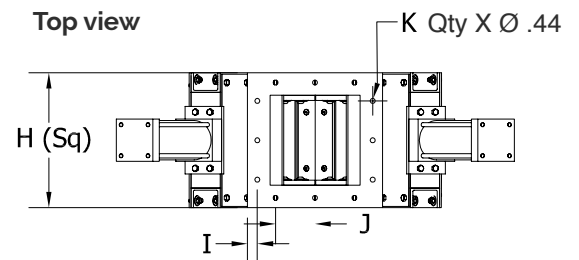
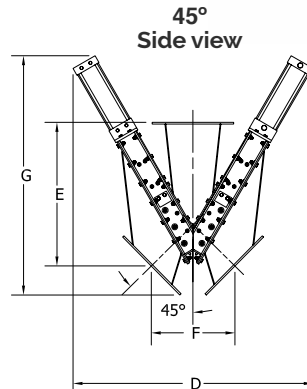
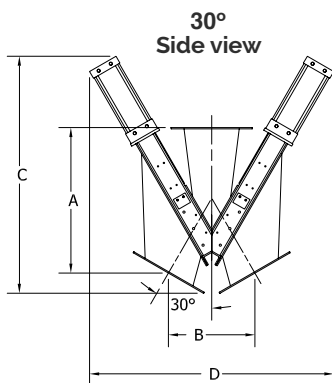
Options

- Square to round transitions
- Quick access removable door for cleaning and seal replacement
- Solenoids - double or single acting 110 volt AC & 24V DC NEMA 4 (NEMA 7/9 available)
- Position switches mounted on air cylinder 5V-240V AC/DC
- Pre-wired Terminal Boxes
- Vented Ball Valve (safety feature)
- Mufflers (Flow Control or Quick Exhaust)
- Filter/Regulator/Lubricator
- High temperature modifications
- Electric actuation
- Manual Hand Lever Actuation

Gravity Dual Control Gate Series G

Standard Features

- Direct product to two destinations either independently or simultaneously
- High cycle applications
- Unobstructed orifice ensures product does not hang up
- Adjustable cam rollers create a dust tight seal on the blade
- Stainless Steel material contact points
- Lightweight Aluminum frame, corrosion resistant
- 30° configuration standard -45° optional
- Rated for 82°C (180°F)

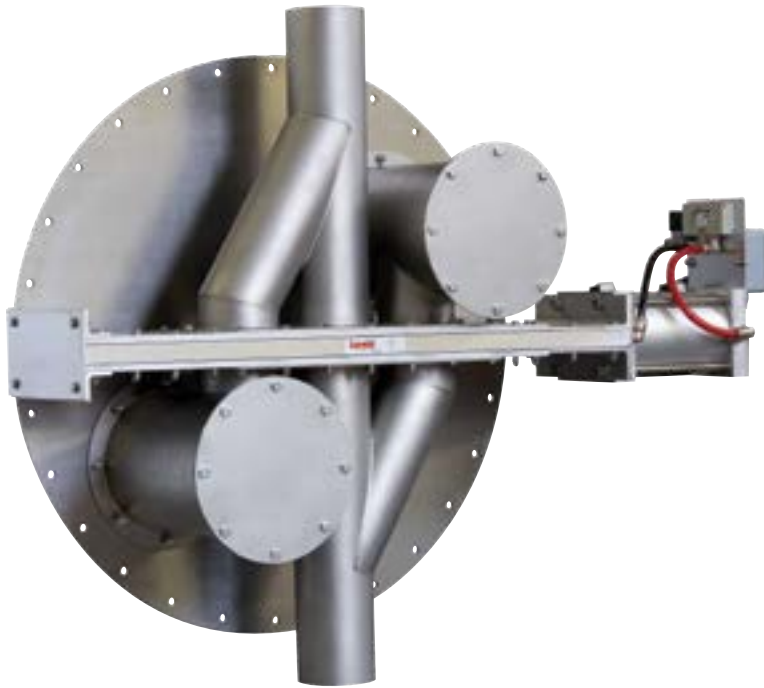


SIZE	A	B	C	D	E	F	G	H	I	J	K
5"	17.00	11.50	28.74	28.13	12.38	10.88	25.56	9.00	0.88	3.63	8
6"	17.11	11.50	29.24	31.12	15.27	12.00	28.43	10.00	0.88	4.13	8
8"	21.44	12.75	34.90	35.96	21.44	12.75	36.18	12.00	0.88	3.50	12
10"	23.02	14.75	37.90	42.02	17.63	15.00	39.30	14.00	0.88	4.50	12
12"	22.40	16.25	43.00	47.96	22.40	16.25	43.00	16.00	0.88	2.75	20
14"	29.46	18.00	52.56	57.75	22.88	18.50	47.74	18.00	0.88	3.25	20
16"	32.52	18.50	56.15	63.00	25.75	19.00	51.47	20.00	0.88	3.75	20
18"	35.00	21.50	63.50	69.75	27.13	20.50	57.90	22.00	0.88	4.25	20
24"	32.79	26.88	79.00	86.40	22.31	26.63	75.69	29.00	1.38	3.75	28

Options

- 316 Stainless material contact
- High temperature service
- Hand wheel or crank, electric actuation
- Solenoids - double or single acting
110 volt AC & 24 volt DC NEMA 4
(NEMA 7/9 available)
- Variable and Infinite Position Controls
- Pre-wired Terminal Boxes
- Vented Ball Valve (safety feature)
- Mufflers (Flow Control or Quick Exhaust)
- Square to round Inlet/Outlets

By Pass Load Diverter Series F



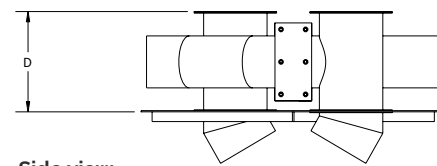
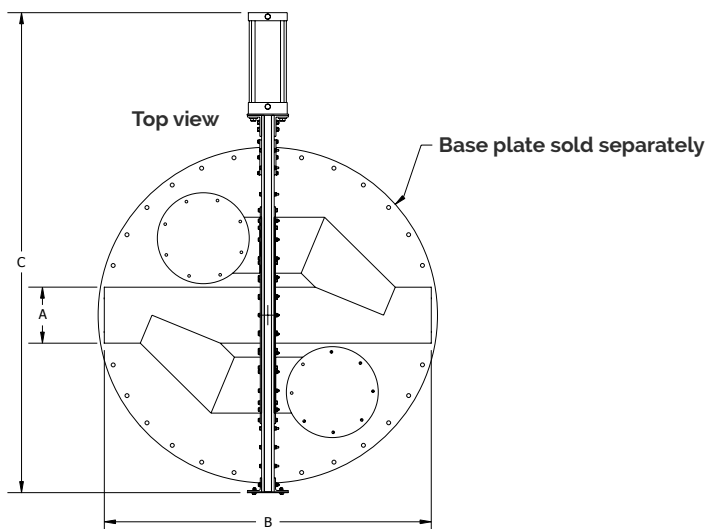
Standard Features

- Fills hoppers via cyclonic separation in the inlet load tube and exhausting air in the outlet tubes
- Valves can be stacked on top of each other allowing multiple sources to multiple hoppers
- Pneumatic actuated for vacuum or dilute phase pressure systems
- Available sizes 2" to 8" OD
- Stainless Steel construction standard
- Lightweight Aluminum frame, corrosion resistant
- Positive blade lock (PBL) between blade and cylinder rod
- Active Compression Seals (ACS)
- Internal magnetic piston cushioned air cylinder
- Rated for 82° (180°F)

Options

- Solenoids - Single or Double Acting 110 volt AC & 24 volt DC NEMA 4 (available NEMA 7/9)
- Oversized air cylinders
- Pre-wired Terminal Boxes
- Position Switches mounted on air cylinder 5v - 240v AC/DC
- High temperature modifications
- Electric Actuation
- Vented Ball Valve (safety feature)
- Mufflers (Flow Control or Quick Exhaust)
- Filter/Regulator/Lubricator
- 316 Stainless construction

A (OD)	B	C	D	BASE PLATE Ø
2"	23.75	31.31	7.00	30", 34", 48"
3"	26.00	29.75	8.00	30", 34", 48"
4"	31.25	38.06	10.00	30", 34", 48"
5"	35.25	47.06	12.00	34", 48"
6"	40.25	51.19	13.00	34", 48"
8"	46.25	68.62	15.00	34", 48"



Side view

2 Way Aggregate Diverter Valves Series J

Standard Features

- Sizes from 6" to 24"
- Heavy duty Carbon Steel construction
- "Y" or straight configuration
- 45° Y configuration or 45° off leg
- Access door for maintenance and inspection of valve
- Dead pocket deflector



Options

- 30° Y configuration or 30° off leg
- Straight configuration
- Manual Hand Wheel Lever or Chain Wheel Actuators
- Square to round transitions
- High temperature kits
- Interior polymer liners on bottom of outlet legs
- Pocketed liner
- Solenoids - Single or Double Acting 110 volt AC & 24 volt DC NEMA 4 (NEMA 7/9 available)
- Oversized air cylinders
- Pre-wired Terminal Boxes
- Position switches mounted on air cylinder 5v - 240v AC/DC
- Electric actuation
- Vented Ball Valve (safety feature)
- Mufflers (Flow Control or Quick Exhaust)
- Filter/Regulator/Lubricator

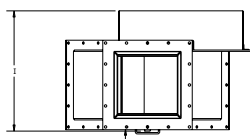
FLANGE PATTERN

SIZE	A	B	C	D	E	F	G	H	K
6"	6.00	10.00	0.50	4.50	-	-	0.50	8	0.44
7" *	7.00	11.00	0.50	5.00	-	-	0.50	8	0.44
8"	8.00	12.00	0.50	5.50	-	-	0.50	8	0.44
9" *	9.00	13.00	0.50	3.00	-	-	0.50	16	0.44
10"	10.00	14.00	0.50	3.25	-	-	0.50	16	0.44
11" *	11.00	15.00	0.50	3.50	-	-	0.50	16	0.44
12"	12.00	16.00	0.50	3.75	-	-	0.50	16	0.44
13"	13.00	17.00	0.50	5.25	-	-	0.50	12	0.44
14"	14.00	18.00	0.50	4.25	-	-	0.50	16	0.44
15"	15.00	19.00	0.75	3.50	3.50	3.50	0.75	20	0.44
16"	16.00	20.00	0.50	4.75	-	-	0.50	16	0.44
17"	17.00	21.00	0.75	3.75	4.00	4.00	0.75	20	0.44
18"	18.00	22.00	0.75	5.25	-	-	0.50	16	0.44
19"	19.00	23.00	0.50	4.44	4.38	4.38	0.50	20	0.56
20"	20.00	24.00	0.50	5.75	-	-	0.50	16	0.44
21"	21.00	25.00	0.50	4.88	4.75	4.75	0.50	20	0.56
22"	22.00	26.00	0.50	4.13	4.19	4.19	0.50	24	0.44
24"	24.00	28.00	0.50	4.50	-	-	0.50	24	0.44

*CEMA PATTERN NOT AVAILABLE

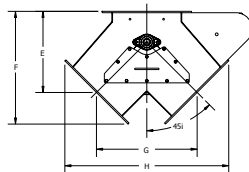
DIVERTER DIMENSIONS

OD	A	B	C	D	E	F	G	H	I-Width
6"	12.00	14.50	10.00	18.66	11.50	15.04	12.00	19.07	13.50
8"	13.00	16.00	12.00	22.39	12.50	16.74	14.00	22.49	15.50
10"	14.00	17.50	14.00	26.12	13.50	18.45	16.00	25.90	17.50
12"	15.00	19.00	16.00	29.86	14.50	20.16	18.00	29.31	21.88
14"	17.00	21.50	18.00	33.59	16.00	22.38	20.00	32.73	23.75
16"	18.00	23.00	20.00	37.32	17.00	24.07	22.00	36.14	25.50
18"	19.00	24.50	22.00	41.05	18.00	25.78	24.00	39.56	27.50
20"	24.00	30.00	26.00	46.79	21.00	29.49	26.00	42.97	29.50
22"	25.25	31.75	26.00	48.52	22.00	31.19	28.00	46.39	31.50
24"	27.00	34.00	30.00	55.13	26.50	36.40	36.00	55.80	34.19

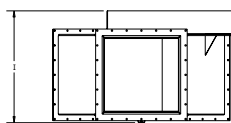


See series C and J Flange Pattern

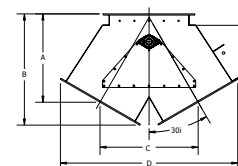
45° Top view



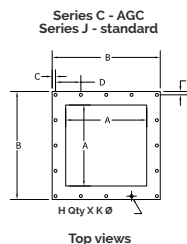
45° Side view



30° Top view



30° Side view



Top views

Aggregate Control Gate Series C



Standard Features

- Gate for controlling dry, gravity flow aggregates
- 6" - 30" sizes
- Heavy duty Carbon Steel construction
- AR plate blade
- Standard hand wheel actuated



GATE DIMENSIONS

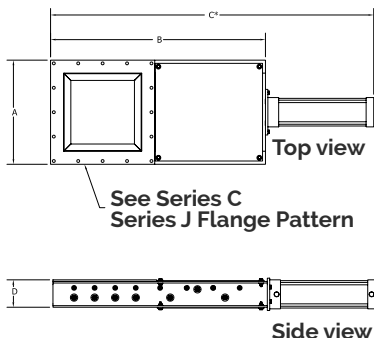
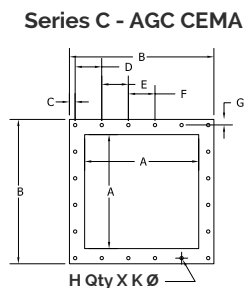
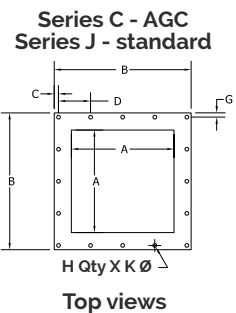
SIZE	A	B	C*	D
6"	10.00	21.00	31.63	4.25
7"	11.00	22.50	34.13	4.25
8"	12.00	25.00	37.63	4.25
9"	13.00	27.00	40.63	4.25
10"	14.00	29.00	43.63	4.25
11"	15.00	31.00	46.63	4.25
12"	16.00	33.00	49.63	4.25
13"	17.00	35.00	52.63	4.25
14"	18.00	37.00	55.88	4.25
15"	19.00	39.00	58.88	4.25
16"	20.00	41.00	61.88	4.25
17"	21.00	43.00	64.88	4.25
18"	22.00	45.00	67.88	4.25
19"	23.00	47.00	70.88	4.25
20"	24.00	49.00	73.88	4.25
21"	25.00	51.00	76.88	4.25
22"	26.00	53.00	79.88	4.25
24"	28.00	57.00	88.25	4.25
25"	29.00	59.00	91.75	4.25
30"	34.00	69.00	106.75	4.25

Options

- Square to round transitions
- Return pan to capture leakage
- High temperature kits
- Electric Actuation
- Pneumatic actuation (pneumatic accessories in 110 volt AC & 24 volt DC NEMA 4 (NEMA 7/9 available)

FLANGE PATTERN

SIZE	A	B	C	D	E	F	G	H	K
6"	6.00	10.00	0.50	4.50	-	-	0.50	8	0.44
7"*	7.00	11.00	0.50	5.00	-	-	0.50	8	0.44
8"	8.00	12.00	0.50	5.50	-	-	0.50	8	0.44
9"*	9.00	13.00	0.50	3.00	-	-	0.50	16	0.44
10"	10.00	14.00	0.50	3.25	-	-	0.50	16	0.44
11"*	11.00	15.00	0.50	3.50	-	-	0.50	16	0.44
12"	12.00	16.00	0.50	3.75	-	-	0.50	16	0.44
13"	13.00	17.00	0.50	5.25	-	-	0.50	12	0.44
14	14.00	18.00	0.50	4.25	-	-	0.50	16	0.44
15"	15.00	19.00	0.75	3.50	3.50	3.50	0.75	20	0.44
16"	16.00	20.00	0.50	4.75	-	-	0.50	16	0.44
17"	17.00	21.00	0.75	3.75	4.00	4.00	0.75	20	0.44
18"	18.00	22.00	0.75	5.25	-	-	0.50	16	0.44
19"	19.00	23.00	0.50	4.44	4.38	4.38	0.50	20	0.56
20"	20.00	24.00	0.50	5.75	-	-	0.50	16	0.44
21"	21.00	25.00	0.50	4.88	4.75	4.75	0.50	20	0.56
22"	22.00	26.00	0.50	4.13	4.19	4.19	0.50	24	0.44
24"	24.00	28.00	0.50	4.50	-	-	0.50	24	0.44
25"	25.00	29.00	0.50	5.63	5.63	5.50	0.50	20	0.56
30"	30.00	34.00	0.50	5.50	-	-	0.50	24	0.44



*CEMA PATTERN NOT AVAILABLE

Multi Port Diverter System



Standard Features

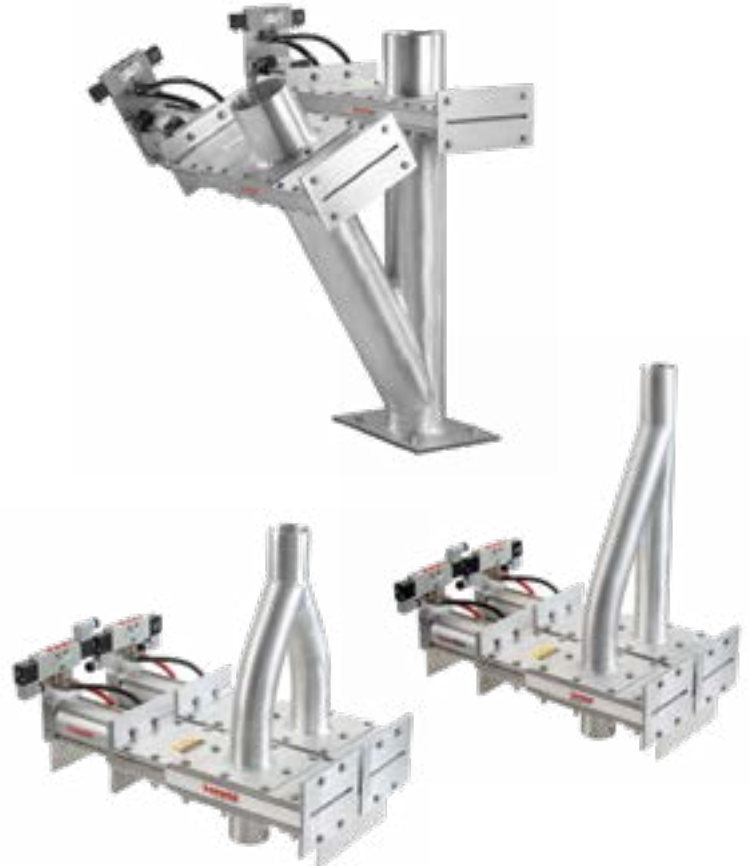
- Custom built automatic material transfer stations
- From multiple sources to multiple stations
- Eliminates hose stations, operator error and spills
- Single piece units or separate cells
- Combine 2, 3, & 4 Way Diverter Valves and Slide Gates
- Can be manufactured as 1 unit or multiple units closer to source
- Hard pipe or hose are used for flexibility and ease of maintenance

Consult factory for details

Line Controllers

Standard Features

- Allows full control of conveying lines using 2 Slide Gates and separate controls
- Either valve can be open or closed, or both open or closed
- Variety of configurations 45° & 60° branch laterals
- Y smooth branches
- ST smooth branches
- Aluminum, Carbon Steel or Stainless Steel
- All sizes and configurations may not be available
- Consult factory for details



Options Vales & Gates



Single Acting Spring Return Solenoid

- Allows valve to return to original position after energy source has stopped
- 110/120 volt AC or 24 volt DC
- Standard NEMA 4, available in NEMA 7-9
- Ideal for 'Fail Safe Applications'
- Temperature range ambient -10°F to +115°F (-23°C to + 46°C)



Double Acting Solenoid

- Valve will remain in current position until opposite solenoid is energized to move the blade
- 110/120 volt AC or 24 volt DC
- Standard NEMA 4, available in NEMA 7-9
- Temperature range ambient -10°F to +115°F (-23°C to + 46°C)



Manual Lever Valve

- For use when automation is not required
- Large handle for easy movement



Position Switches

- Magnetic reed position switches use lights to indicate cylinder position
- 5 volt - 220 volt AC/DC
- Standard NEMA 4, available in hazardous location options
- Temperature range ambient -4°F to +176°F (-20°C to + 80°C)



Filter Regulator Lubricator

- Filter/Regulator/Lubricator - pre-plumbed filter lubricator and pressure gauge



Pre-wired Terminal Boxes

- NEMA 4 water/dust tight enclosure end mount on air cylinder
- Comes complete with all wires, Fittings and connections
- All wiring connections in one convenient location
- N/A in NEMA 7/9



Vented Ball Valve

- Recommended air supply safety feature
- For blocking out air supply, bleeding off residual air and able to lockout/tag valve
- Install in compressed air line within 12" of valve or gate control valve



Mufflers

- Mufflers are installed on solenoid to reduce noise
- Optional adjustable flow control mufflers to reduce speed available



Air Purged Body c/w Gauge & Regulator

- Recommended when conveying powders
- Body of valve is sealed and pressurized to prevent passing of product into valve cavity
- User sets regulator 2 psi greater than conveying pressure



Polar Lubrication

- For low-temperature installations -50°C (-60° F)
- Absorbs water contained in compressed air to prevent freezing
- Solenoid Valve comes with low-temp. seals
- Metal bowl lubricator included
- Air line that supplies valve must be maintained with polar lube lubricants to prevent freezing



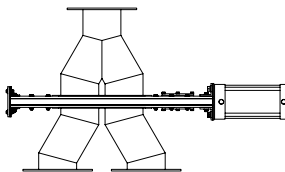
Electric Actuators

- Electric Actuators for outdoor applications
- Cast Carbon construction
- Operating range -40°C to 65°C (-40°F to 150°F) 115 VAC, 60 Hz, single phase, TENV
- Other voltages available upon request
- Weatherproof and/or dust-ignition proof (Class II, Division 1 and 2, Groups E, F and G) enclosure



Hand Crank & Wheel Actuation

- Hand-crank and Wheel allow valve to be operated manually
- Isolate for maintenance



Inlet & Outlet Modifications

- In-house manufacturing = quick turnaround
- Wide variety of options available
- Modifications are made to inlets and outlets to suit installation preferences



Special Service Inlets

- A Special Service Inlet directs the flow of material towards the center of the valve, preventing shearing and packing of material. Recommended when closing on a column of material in gravity flow systems or for abrasive materials
- 304 Stainless Steel

High Temperature #1 - [HT1]

- Valve modified to withstand 120°C (250°F) continuous 145°C (300°F) intermittent
- Nylon pressure plates
- Silicone seals and rings
- Teflon shims

Sticky Service/Moisture

- PET plates (Polyethylene Terephthalate) or UHMW (Ultra High Molecular Weight Polyethylene) plates are used and blade is electro polished

High Temperature #2 - [HT2]

- Valve modified to withstand 200°C (400°F) continuous 230°C (450°F) intermittent
- Teflon pressure plates
- Silicone seals and rings
- Teflon shims

Molybdenum Disulfide Impregnated Pressure Plates

- Lubricated nylon pressure plates for handling minerals

Valve Electrical Controls

2 Position Push Button (open and closed).
For simple open and closed operation.

Standard Features

- Includes metal panel enclosure
- On-Off switch standard
- Uses relays 110 volt AC or 24 volt DC
- Pre-wired terminal box required if mounted more than 9 ft (3 m) from valve (specify distance)



Variable Center Position (dribble feed)

Variable position is manually adjustable by moving center position switch.
Consult factory for operation details.

Standard Features

- Operates from closed to open then center or open to closed then center
- Additional positions are available
- Available on Slide Gates and Roller Gates



Movable variable position switch



Infinite Position Controls

Standard Features

- Infinite Position Controls allow for gate to be open to a specified opening size
- Does not control amount of flow, just provides opening
- Available on Slide Gates and Roller Gates
- Requires programmable controller, not included



Application Chart

Valves & Gates

VALVE SELECTION	SERIES	SIZES (OD INCHES)	PRESSURE 15 PSIG	GRAVITY	VACUUM	MOUNTING	ACTION
DIVERTER VALVE - 2 WAY - ST OR Y CONFIGURATION	D	1.5" TO 12"	•		•	HORIZ/VERT	AIR/MANUAL/ELECTRIC
DIVERTER VALVE - 3 WAY	D	1.5" TO 8.63"	•		•	HORIZ/VERT	AIR/MANUAL/ELECTRIC
DIVERTER VALVE - 4 WAY	D	2" TO 8.63"	•		•	HORIZ/VERT	AIR/MANUAL/ELECTRIC
SLIDE GATE - TPS/LSP/BBH/SB/BTV	E	1.5" TO 14"	•	•	•	HORIZ/VERT	AIR/MANUAL/ELECTRIC
PUSH PULL SLIDE GATE	E	2" TO 12"		•	•	HORIZ/VERT	MANUAL
DISCHARGE VALVE	H	6" TO 16"		•		HORIZ	AIR/MANUAL/ELECTRIC
SLIDE FLEX VALVE - 2 WAY	P	2" TO 8"	•		•	HORIZ/VERT	AIR/MANUAL/ELECTRIC
SLIDE FLEX VALVE - 3 WAY	P	2" TO 8"	•		•	HORIZ/VERT	AIR/MANUAL/ELECTRIC
ROLLER GATE	N	6" TO 36"		•		HORIZ	AIR/MANUAL/ELECTRIC
DUAL CYLINDER ROLLER GATE	N	6" TO 30"		•		HORIZ	AIR
MAINTENANCE GATE - SQUARE	A	6" TO 20"	•	•	•	HORIZ	AIR/MANUAL/ELECTRIC
MAINTENANCE GATE - ROUND	A	6" TO 16"	•	•	•	HORIZ	AIR/MANUAL/ELECTRIC
BYPASS LOAD DIVERTER	F	2" TO 8"	•		•	HORIZ	AIR/MANUAL/ELECTRIC
GRAVITY DUAL CONTROL GATE	G	5" TO 24"		•		VERT	AIR/MANUAL/ELECTRIC
GRAVITY DIVERTER SEALED - 2 WAY - ST OR Y CONFIGURATION	L	4" TO 30"		•		VERT	AIR/MANUAL/ELECTRIC
GRAVITY DIVERTER SEALED - 3 WAY	L	4" TO 18"		•		VERT	AIR/MANUAL/ELECTRIC
AGGREGATE CONTROL GATE	C	6" TO 30"		•		HORIZ	AIR/MANUAL/ELECTRIC
AGGREGATE DIVERTER - 2 WAY	J	6" TO 24"		•		VERT	AIR/MANUAL/ELECTRIC
EASY CLEAN SLIDE GATE	K	2" TO 8"		•		HORIZ	AIR/MANUAL

**This chart is for reference only.
Please contact Lorenz for more details**

Contact Lorenz for your customization solutions

Custom Options

- Non-standard sizes & configurations
- Customized flanges
- Client specified cylinders and electrics
- Special Seal Configurations
- Space constraints
- Corrosive applications
- Hazardous locations
- High temperatures
- Air purging
- Outdoor installations



Customized Probe Box



Made to order Cyclones



Line Controllers



Rectangular Gates



Client specified Cylinders and Electrics



Valves with modified Inlet/Outlets

Iris Valve

The Lorenz Iris Valve is used to control the flow of powders, granules, flakes, crystals etc. in a wide range of production equipment.

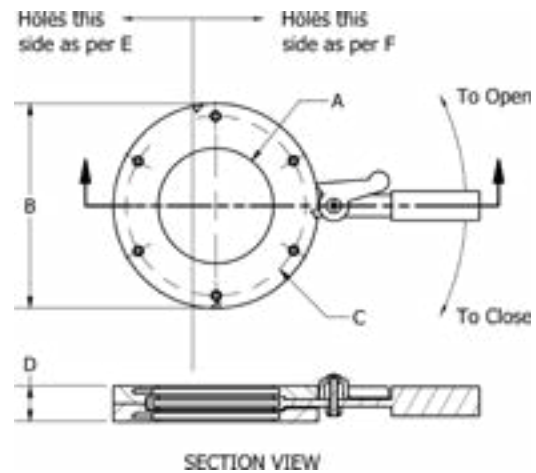
Standard Features

- Made from Aluminum with a mild Steel zinc plated rotating ring
- Sizes ranging from 4" to 18" in 2" increments
- Trigger type locking lever is made of cast Aluminum
- Double locking diaphragms are made of polyurethane coated nylon



Options

Increase the wear life of the diaphragm by adding a Wear Sleeve that carries the product through the Iris Valve without direct contact with the diaphragm



PART NO.	SIZE	B	C	D	E CLEARANCE HOLES	F TAPPED HOLES	WT. IN LBS. (APPROX.)
1910001111	4"	6.87	6.15	1.21	2 x 5/16"	4 x .3125-18	2.90
1915001111	6"	8.87	8.00	1.21	2 x 5/16"	4 x .3125-18	4.12
1920001111	8"	11.00	10.00	1.21	2 x 5/16"	4 x .3125-18	6.20
1925001111	10"	14.00	12.87	1.21	2 x 3/8"	4 x .3125-16	8.20
1930001111	12"	16.00	14.87	1.21	3 x 3/8"	5 x .3125-16	9.90
1935001111	14"	18.50	16.25	1.50	4 x 1/2"	6 x .3125-13	19.00
1940001111	16"	21.00	19.50	1.50	5 x 1/2"	7 x .3125-13	29.00
1945001111	18"	23.00	21.50	1.50	5 x 1/2"	7 x .3125-13	31.00

EQUAL SPACING CLEARANCE HOLES FOR MOUNT HOLE PATTERN REFERENCE
HOLE QUANTITIES AS PER CHART



Lorenz
Conveying Products
www.lorenzproducts.com

P.O. Box 1002
Cobourg, Ontario Canada K9A 4W4
Canada 1-800-263-1942
USA 1-800-263-7782
Tel. 905-372-2240 Fax 905-372-4456
sales@lorenz.ca

ISO 9001-2015 REGISTERED COMPANY