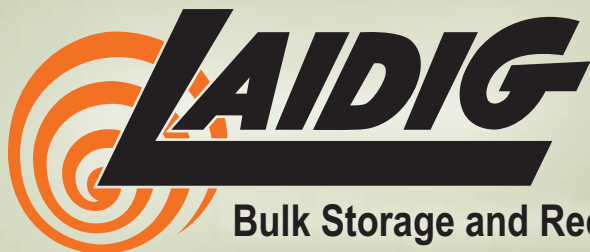


Cone-Bottom Silo Reclaim System

Model 3445

THE *ECONOMICAL* SOLUTION
TO YOUR
SILO BRIDGING PROBLEMS

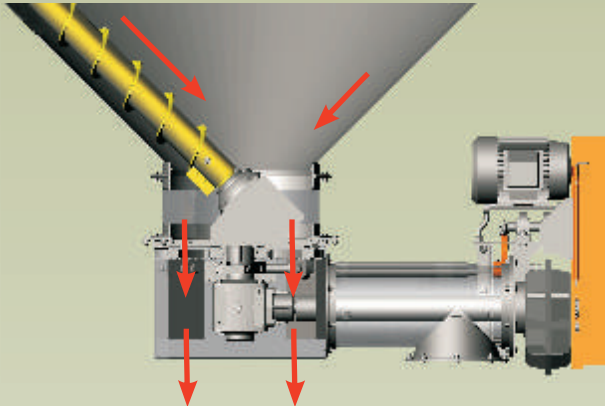


Bulk Storage and Reclaim Systems

Cone-Bottom Silo Reclaim System Model 3445

Assisted-Flow Reclaim

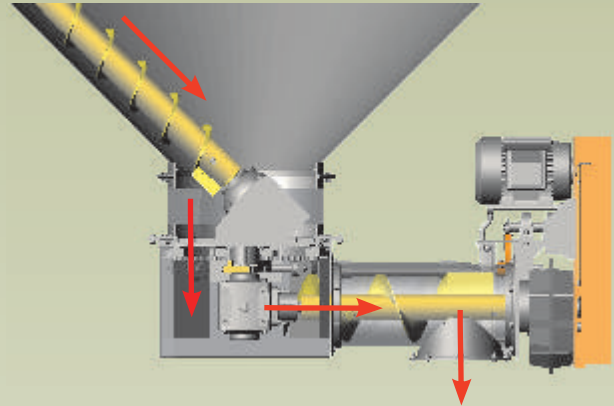
Laidig's ratcheted, positive sweep advance provides reliable, continuous material flow.



(Material is discharged directly through the hopper.)

Controlled-Flow Option

Optional discharge system for selected materials limits maximum delivery rate.



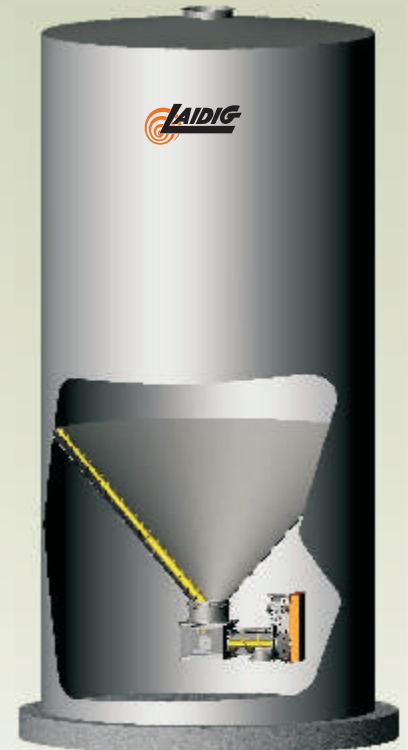
(Material is discharged by the discharge auger.)

Simple, Durable, and Dependable

The Laidig Model 3445 systems come standard with corrugated bins, bolted steel silos, or welded steel silos. A variety of baked epoxy coatings are available for both interior and exterior silo walls.

Feature*	Model 3445
Silo Diameter	5'-18' (1.5-5.5m)
Silo Cone Angle	45°
Electric Drive Train	5 HP or 7.5 HP
Reclaim Auger Size	6" (15cm) diameter, tapered
Reclaim Auger Rotation	30-100 rpm, customized
Discharge Auger (optional)	9" (23cm) diameter
Max. Delivery Rate (optional)	20 CFM (34m ³ /h) @ 100 rpm

* Standard system specifications are shown.
Consult a Laidig applications engineer for material-specific information.



Laidig Systems, Inc.

14535 Dragoon Trail
Mishawaka, IN 46544 USA

Phone: 574-256-0204

Fax: 574-256-5575

sales@laidig.com

www.laidig.com

Copyright © 2008 rev c
Laidig Systems, Inc.

