



# Dust Collector & Bin Vent

## DC DUST COLLECTOR

Dust collectors are typically installed at a remote location with duct work feeding to it from multiple bulk material transfer points requiring dust control. Some of the dust collector options include; platforms, railing, ladders, multiple access ports and doors.

All dust collectors are offered in top and bottom filter removal designs as well as walk in clean air plenums. Exhaust fans can be mounted to the dust collector or next to it. A wide variety of filter media choices are available to suite most dry particle filtering requirements.



Bin vent with walk in clean air plenum.

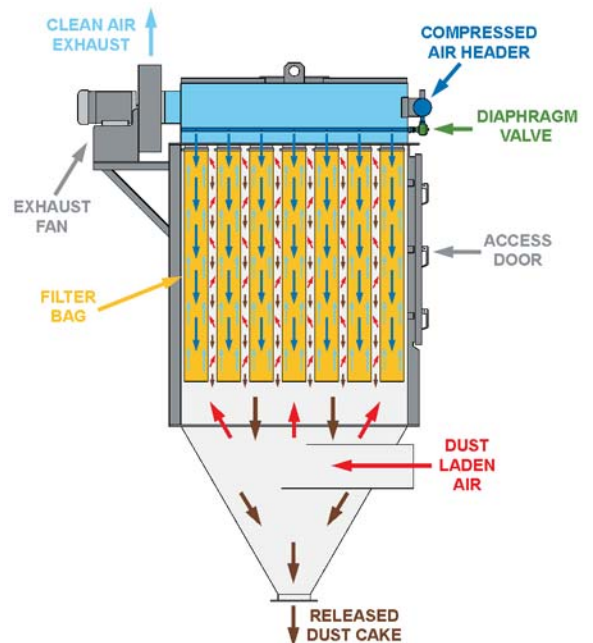


Dust collector with access platform and safety hand rail.

## BV BIN VENT

Bin vents are similar in design to dust collectors, except they do not have a collection hopper mounted to the bottom of the unit. Bin vents are typically installed on top of storage silos. They are typically used to vent storage silos, but can also accept remote duct work. Some of the bin vent options include; platforms, railing, ladders, multiple access ports and doors.

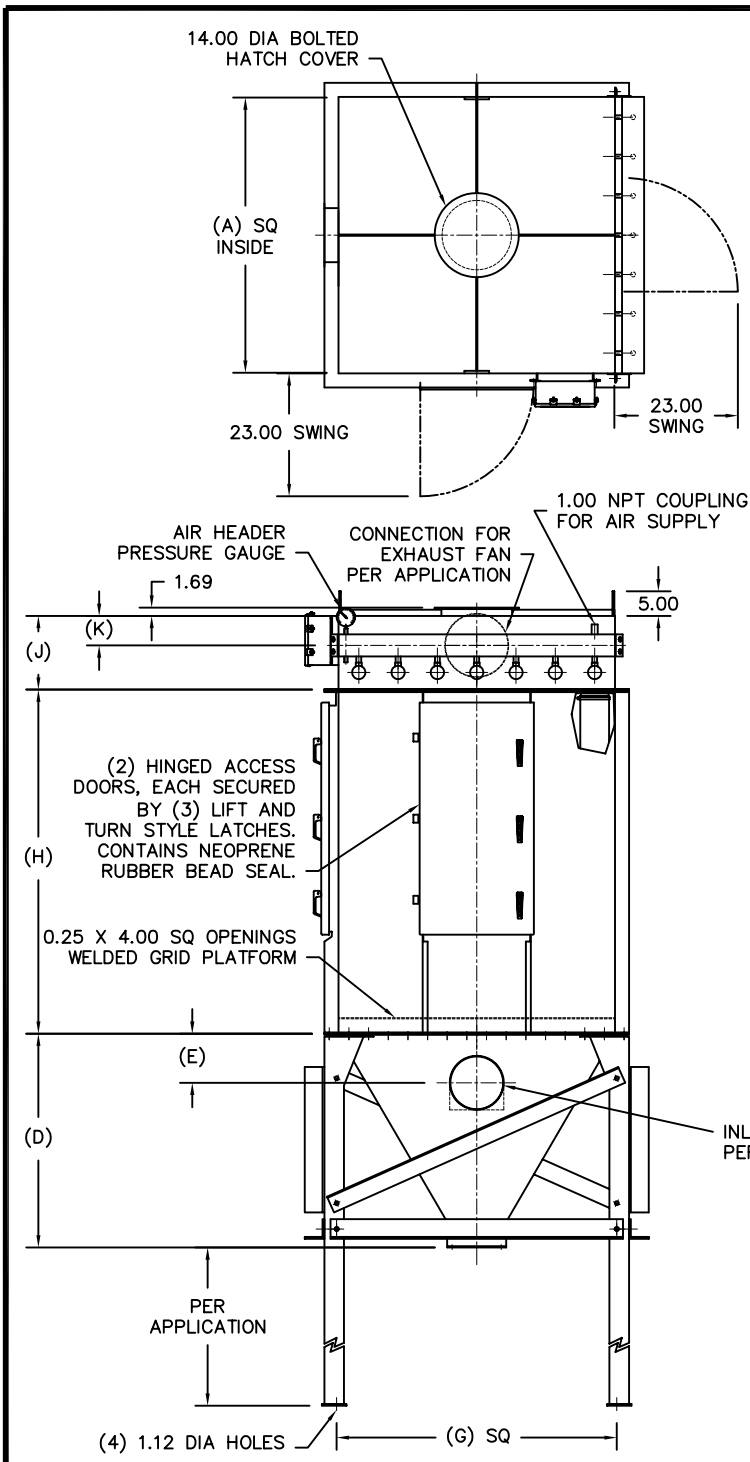
All bin vents are offered in top and bottom filter removal designs as well as walk in clean air plenums. Exhaust fans can be mounted to the bin vent or next to it. A wide variety of filter media choices are available to suite most dry particle filtering requirements.



## FEATURES

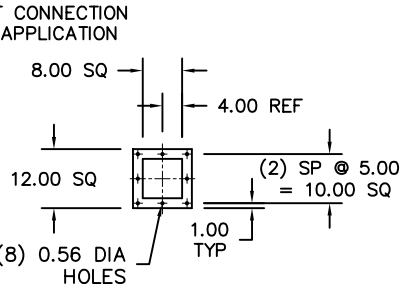
DCL offers a large selection of dust collectors and bin vents up to 3000 square feet of filter media. Exhaust fans can be sized up to 18000 CFM.

A choice of construction materials allow handling of all types of products; fine, granular, lumpy, abrasive, corrosive, and sanitary applications. A choice of electrical options are also available allowing for installation in almost any environment; NEMA 4, NEMA 4X, NEMA 7, NEMA 9, 120V/220V control, 460V/415V power, etc.



MODEL	EST WGT	# VALVE/FILTER	CLOTH AREA	FILTER LG	A	D	E	G	H	J	K
DC9-36	1020 LB*	3 / 9	39 SQ FT	36.00	24.00	16.00	4.00	22.00	48.00	11.00	4.00
DC9-58	1130 LB*	3 / 9	63 SQ FT	58.00	24.00	16.00	4.00	22.00	70.00	11.00	4.00
DC9-84	1220 LB*	3 / 9	91 SQ FT	84.00	24.00	16.00	4.00	22.00	96.00	11.00	4.00
DC9-100	1265 LB*	3 / 9	108 SQ FT	100.00	24.00	16.00	4.00	22.00	112.00	11.00	4.00
DC16-36	1340 LB*	4 / 16	69 SQ FT	36.00	32.00	23.00	6.00	32.00	48.00	13.00	5.00
DC16-58	1470 LB*	4 / 16	111 SQ FT	58.00	32.00	23.00	6.00	32.00	70.00	13.00	5.00
DC16-84	1620 LB*	4 / 16	161 SQ FT	84.00	32.00	23.00	6.00	32.00	96.00	13.00	5.00
DC16-100	1710 LB*	4 / 16	192 SQ FT	100.00	32.00	23.00	6.00	32.00	112.00	13.00	5.00
DC25-36	1720 LB*	5 / 25	108 SQ FT	36.00	40.00	30.00	7.00	40.00	48.00	13.00	5.00
DC25-58	1800 LB*	5 / 25	174 SQ FT	58.00	40.00	30.00	7.00	40.00	70.00	13.00	5.00
DC25-84	1970 LB*	5 / 25	252 SQ FT	84.00	40.00	30.00	7.00	40.00	96.00	13.00	5.00
DC25-100	2070 LB*	5 / 25	300 SQ FT	100.00	40.00	30.00	7.00	40.00	112.00	13.00	5.00
DC36-36	2250 LB*	6 / 36	156 SQ FT	36.00	48.00	36.50	8.00	48.00	48.00	15.00	6.00
DC36-58	2410 LB*	6 / 36	251 SQ FT	58.00	48.00	36.50	8.00	48.00	70.00	15.00	6.00
DC36-84	2620 LB*	6 / 36	363 SQ FT	84.00	48.00	36.50	8.00	48.00	96.00	15.00	6.00
DC36-100	2750 LB*	6 / 36	432 SQ FT	100.00	48.00	36.50	8.00	48.00	112.00	15.00	6.00
DC49-36	3120 LB*	7 / 49	212 SQ FT	36.00	56.00	43.50	10.00	57.00	48.00	15.00	6.00
DC49-58	3310 LB*	7 / 49	341 SQ FT	58.00	56.00	43.50	10.00	57.00	70.00	15.00	6.00
DC49-84	3640 LB*	7 / 49	494 SQ FT	84.00	56.00	43.50	10.00	57.00	96.00	15.00	6.00
DC49-100	3710 LB*	7 / 49	588 SQ FT	100.00	56.00	43.50	10.00	57.00	112.00	15.00	6.00
DC64-36	3730 LB*	8 / 64	276 SQ FT	36.00	64.00	50.50	12.00	65.00	48.00	17.00	7.00
DC64-58	3940 LB*	8 / 64	445 SQ FT	58.00	64.00	50.50	12.00	65.00	70.00	17.00	7.00
DC64-84	4220 LB*	8 / 64	645 SQ FT	84.00	64.00	50.50	12.00	65.00	96.00	17.00	7.00
DC64-100	4400 LB*	8 / 64	768 SQ FT	100.00	64.00	50.50	12.00	65.00	112.00	17.00	7.00
DC81-36	C/F	9 / 81	350 SQ FT	36.00	72.00	57.50	14.00	73.00	48.00	19.00	8.00
DC81-58	C/F	9 / 81	564 SQ FT	58.00	72.00	57.50	14.00	73.00	70.00	19.00	8.00
DC81-84	C/F	9 / 81	816 SQ FT	84.00	72.00	57.50	14.00	73.00	96.00	19.00	8.00
DC81-100	C/F	9 / 81	972 SQ FT	100.00	72.00	57.50	14.00	73.00	112.00	19.00	8.00
DC100-36	5700 LB*	10 / 100	432 SQ FT	36.00	80.00	64.50	16.00	80.00	48.00	21.00	9.00
DC100-58	5790 LB*	10 / 100	696 SQ FT	58.00	80.00	64.50	16.00	80.00	70.00	21.00	9.00
DC100-84	6130 LB*	10 / 100	1008 SQ FT	84.00	80.00	64.50	16.00	80.00	96.00	21.00	9.00
DC100-100	6360 LB*	10 / 100	1200 SQ FT	100.00	80.00	64.50	16.00	80.00	112.00	21.00	9.00
DC121-36	C/F	11 / 121	523 SQ FT	36.00	88.00	71.00	17.00	88.00	48.00	23.00	11.00
DC121-58	C/F	11 / 121	842 SQ FT	58.00	88.00	71.00	17.00	88.00	70.00	23.00	11.00
DC121-84	C/F	11 / 121	1220 SQ FT	84.00	88.00	71.00	17.00	88.00	96.00	23.00	11.00
DC121-100	C/F	11 / 121	1452 SQ FT	100.00	88.00	71.00	17.00	88.00	112.00	23.00	11.00
DC144-36	C/F	12 / 144	622 SQ FT	36.00	96.00	78.00	18.00	96.00	48.00	C/F	C/F
DC144-58	C/F	12 / 144	1002 SQ FT	58.00	96.00	78.00	18.00	96.00	70.00	C/F	C/F
DC144-84	C/F	12 / 144	1451 SQ FT	84.00	96.00	78.00	18.00	96.00	96.00	C/F	C/F
DC144-100	C/F	12 / 144	1728 SQ FT	100.00	96.00	78.00	18.00	96.00	112.00	C/F	C/F

C/F = CONSULT FACTORY  
 \*ESTIMATED WEIGHTS DO NOT INCLUDE EXHAUST FAN, OPTIONAL EQUIPMENT OR ELECTRICAL COMPONENTS.



DISCHARGE FLANGE PATTERN

**GENERAL NOTES:**

- ALL INDUSTRIAL VOLTAGES AVAILABLE FOR ELECTRICAL COMPONENTS.
- PREWIRING OF ELECTRICAL COMPONENTS TO CFM HOUSING JUNCTION BOX OPTIONAL.
- ELECTRICAL ENCLOSURES NEMA 4 STANDARD. NEMA 4X, 7, AND 9 OPTIONAL.
- METAL SURFACES ARE POWER TOOL CLEANED, PRIMED, AND FINISHED W/INDUSTRIAL ENAMEL.
- AIR REQUIREMENTS FOR COMPRESSED AIR HEADER ARE (16)CFM @ (80-100)PSI.
- SPECIFICATIONS AND/OR DIMENSIONAL DATA ARE SUBJECT TO CHANGE. CONSULT DCL FOR CERTIFIED DRAWINGS.

REV	DATE	BY	DCL		SPECIALISTS IN ADVANCED DESIGN LOADING SYSTEMS		P.O. BOX 125 CHARLEVOIX, MICHIGAN 49720 (231) 547-5800		
			TOLERANCES UNLESS OTHERWISE SPECIFIED						
			FRACTIONAL: 1/16"	DECIMAL: .06	ANGULAR: 1/2	DRAWN BY: JNM	SCALE: NONE		
						CHECKED BY: ENG	DATE: 05/03/05		
			TITLE				DRAWING No:		
			DC BAG HOUSE STYLE DUST COLLECTOR				DC-10003		