



Dust Control and Loading Systems Inc

Leaders in Innovative Bulk Loading Systems Design

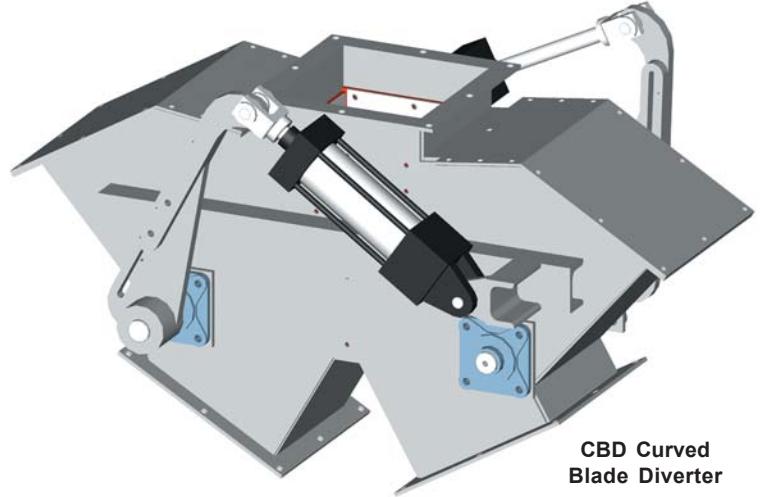
## CBD Curved Blade Diverter Valve

### CURVED BLADE DIVERTER VALVE

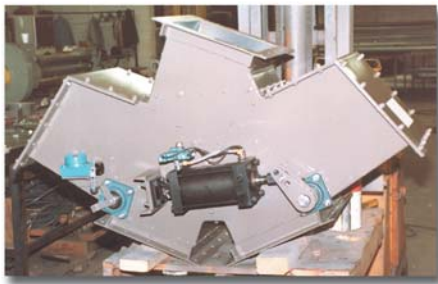
DCL's Model CBD Curved Blade Diverter Valves are designed to direct and cut off product flow from outlets of storage bins, silos, conveyors, gravity flow chutes and other discharge points handling dry bulk materials.

These rugged heavy duty curved blade diverters are available in 30 and 45 degree symmetrical configurations. Standard sizes range from 6 inches to 36 inches square. Sizes larger than 36 inches, rectangular, and special configurations including hardened liners are available on a custom build basis.

A choice of construction materials allow handling of all types of products; fine, granular, abrasive, corrosive, and sanitary applications.



CBD Curved Blade Diverter

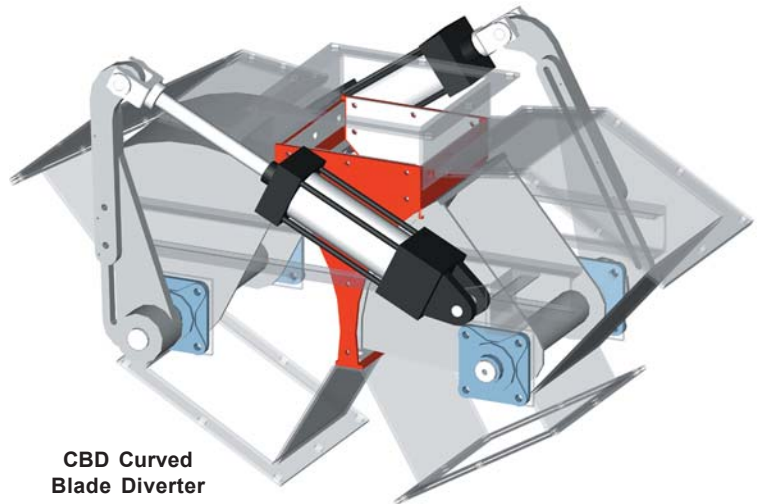


### FEATURES

The CBD Curved Blade Diverter Valves are fast acting, tight sealing, and very effective for regulating flow rates. The diverter configuration will allow not only a selection of flow to one or both legs at the same time, but will also act as a complete shut off valve. The curved blade valve should only be used when handling fine or granular materials and not materials containing a large percentage of lumps.

The CBD housing is constructed of plate steel with cross member supports on larger sizes. Each reinforced curved blade pivots on two flanged bearings allowing it to open and close with ease. Actuation of Curved Blade Diverter Valves can be accomplished in many ways; pneumatically for fast action, hydraulically for power, electrically for precise positioning, and manually with a chain wheel or lever.

The seals on the Curved Blade Diverter are designed to eliminate product leakage when the blade is in the shut off position. The seals are mounted to the CBD housing instead of the blade allowing for easy access and replacement. Blade seals are selected according to the material being handled and are available to suit any application.



CBD Curved Blade Diverter

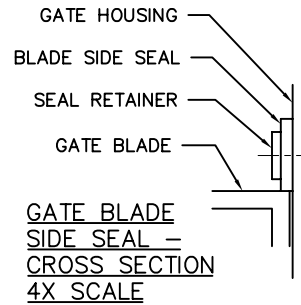
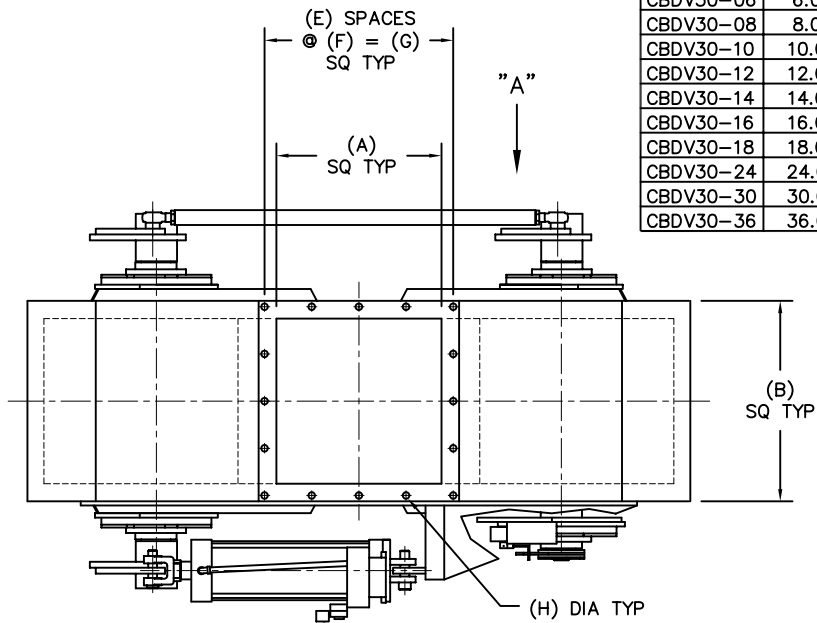
Po Box 125  
08660 Ance Road

Dust Control and Loading Systems Inc  
Charlevoix, Michigan 49720  
www.dclinc.com or info@dclinc.com

Tele: 800-748-0563  
Fax: 231-547-3343

PUBc-0502-CBD

MODEL	A	B	C	D	E	F	G	H	J	K	L	EST WGT
CBDV30-06	6.00	9.00	16.00	6.94	2	4.00	8.00	0.63	15.00	13.88	12.00	230 LB*
CBDV30-08	8.00	11.00	18.00	8.00	2	5.00	10.00	0.63	17.75	16.00	13.88	321 LB*
CBDV30-10	10.00	13.00	21.50	9.50	2	6.00	12.00	0.63	22.50	19.00	16.44	345 LB*
CBDV30-12	12.00	15.00	24.50	11.13	2	7.00	14.00	0.63	25.50	22.25	19.25	470 LB*
CBDV30-14	14.00	17.00	27.50	13.00	4	4.00	16.00	0.63	28.00	26.00	22.50	768 LB*
CBDV30-16	16.00	20.00	31.75	14.88	4	4.50	18.00	0.63	32.25	29.75	25.75	897 LB*
CBDV30-18	18.00	22.00	34.00	16.13	4	5.00	20.00	0.63	37.50	32.25	27.94	1294 LB*
CBDV30-24	24.00	28.00	42.25	21.00	4	6.50	26.00	0.63	49.00	42.00	36.38	C/F
CBDV30-30	30.00	36.00	51.75	25.25	5	6.75	33.75	0.63	60.00	50.50	43.75	C/F
CBDV30-36	36.00	42.00	60.00	29.00	6	6.63	39.75	0.63	73.00	58.00	50.25	C/F



**GENERAL NOTES:**

HOUSING, BLADE, AND SEAL RETAINERS ARE MILD STEEL. ABRASION RESISTANT OR STAINLESS STEEL IS OPTIONAL.

AVAILABLE BLADE SEALS ARE URETHANE, SILICONE, VITON, OR HIGH-TEMPERATURE RUBBER BELTING. OTHER MATERIALS ARE AVAILABLE UPON REQUEST.

METAL SURFACES ARE POWER TOOL CLEANED, PRIMED, AND FINISHED WITH INDUSTRIAL ENAMEL.

FULL-OPEN AND FULL-CLOSED LIMIT SWITCHES ARE OPTIONAL, AND ARE AVAILABLE IN NEMA 4, 4X, 7, AND 9.

LENGTH AND CAPACITY OF ACTUATOR TO BE DETERMINED UPON APPLICATION.

SPECIFICATIONS AND/OR DIMENSIONAL DATA ARE SUBJECT TO CHANGE. CONSULT DCL FOR CERTIFIED DRAWINGS.

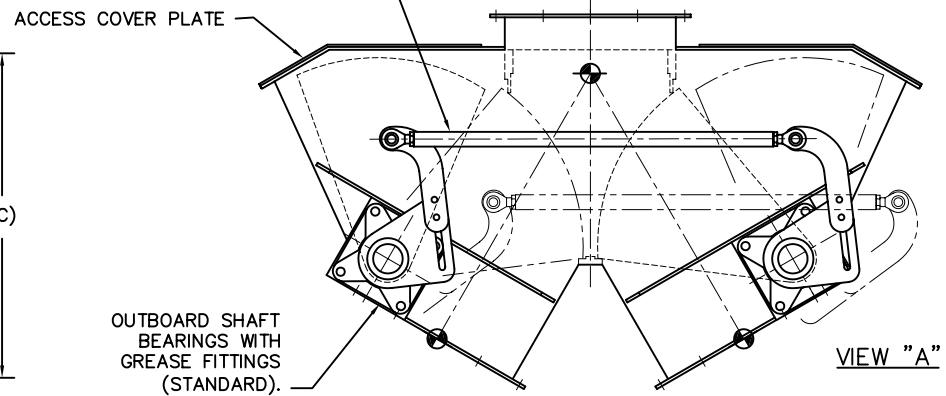
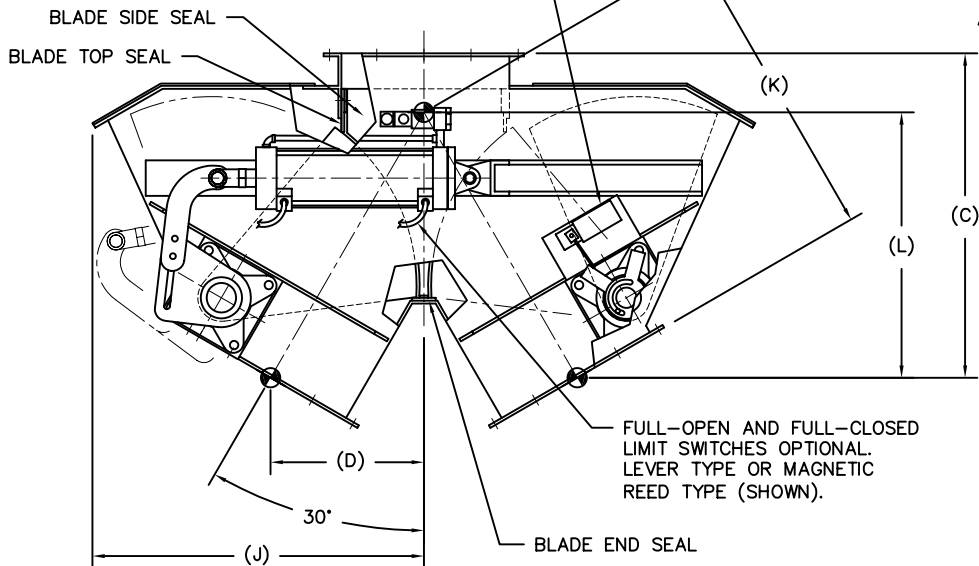
C/F = CONSULT FACTORY

\*ESTIMATED WEIGHTS DO NOT INCLUDE ACTUATOR OR ELECTRICAL COMPONENTS.

4-WAY, 2-POSITION SOLENOID VALVE, PRE-PIPED AND MOUNTED TO CYLINDER. AVAILABLE IN NEMA 4, 4X, 7, AND 9.

AVAILABLE WITH DUAL ACTUATORS/LIMITS FOR INDEPENDENT BLADE OPERATION (CAN BE USED FOR TOTAL SHUTOFF), OR TANDEM OPERATION BAR (SHOWN) FOR SIMULTANEOUS BLADE OPERATION (CAN BE USED FOR DIVERTING ONLY).

OPTIONAL LEVER TYPE LIMIT SWITCHES SHOWN. AVAILABLE IN 2-POSITION (PAIR OF SWITCHES) OR 3-POSITION (SINGLE SWITCH, SHOWN).



REV	DATE	BY	DCL SPECIALISTS IN ADVANCED DESIGN LOADING SYSTEMS		P.O. BOX 125 CHARLEVOIX, MICHIGAN 49720 (231) 547-5800
			TOLERANCES UNLESS OTHERWISE SPECIFIED		DRAWN BY: TLC SCALE: NONE
			FRACTIONAL: 1/16"	DECIMAL: .06	ANGULAR: 1/2
			TITLE: CBD CURVED BLADE DIVERTER VALVE		CHECKED BY: ENG DATE: 10-06-92
			DRAWING No: CBD-10001		
A	01-30-02	TLC			