

DUMP DRUMS!

AFC HAS THE ANSWER TO YOUR DRUM HANDLING PROBLEMS!

Lift & Seal Style



**AFC Open
Chute Hydraulic
Drum Dumper**

AFC

AFC – Your One Source For Engineered Bulk Solids Handling Solutions.
Contact Us Today For ***YOUR ANSWER.***

AUTOMATED FLEXIBLE CONVEYOR, INC.

55 Walman Avenue, Clifton, NJ 07011

Voice: (973) 340-1695 • Fax: (973) 340-8216

Visit Our New Website!

Email: sales@afcsolutions.com • www.afcsolutions.com

AFC Drum Dumper Data Sheet

Name/Title: _____

Company: _____

Street/Box: _____

City/State/Zip: _____

Country: _____

Tel: () _____

Fax: () _____

E-mail: _____

Open Chute Style

Lift & Seal Style

DISCHARGE HEIGHT (A)

38" 60" (Max) Other _____

DRUM DATA

Steel Fiber Other _____

TOTAL WEIGHT _____ lbs.

TOTAL VOLUME _____ gals.

DRUM DIMENSIONS

O.D. _____ I.D. _____

Height _____

MATERIAL FORM

Powder Granular Flake Pellet

Other _____

CHARACTERISTICS

Free Flowing Packs

Bridges Interlocks

Ratholes Aerates

Hazardous i.e. _____

Toxic i.e. _____

Other Description _____

MATERIALS OF CONSTRUCTION (PRODUCT CONTRACT)

Mild Steel/Painted 304SS Industrial Finish

Sanitary Finish Other _____

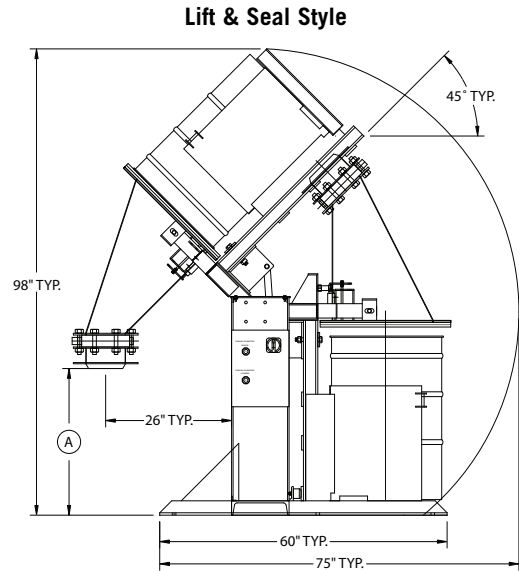
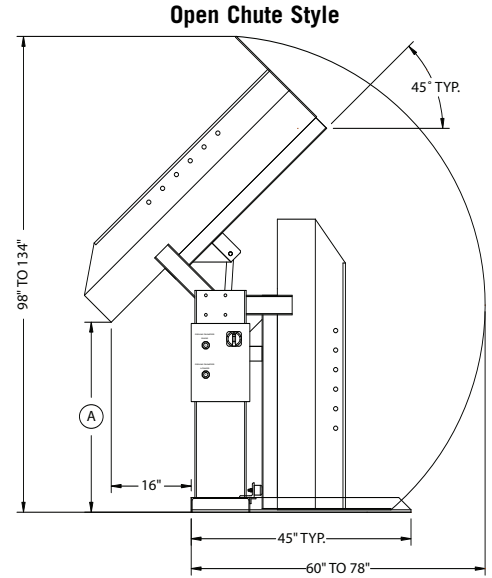
OPTIONS

Portable Roller Base

Iris Valve* Slide Gate*

Butterfly Valve* Other _____

*Lift & Seal Style Only



NOTE: Lift & Seal design will require a sample drum at time of order. Dimensions shown are typical.

ELECTRICAL REQUIREMENTS

Volts _____ Phase _____ Cycle _____

AREA CLASSIFICATION

Non-Hazardous (TEFC/NEMA-12)

Wash Down (TEFC/NEMA-4)

Corrosive (Chem Duty/NEMA-4X)

Explosion-Proof (XP/NEMA-7/9)

Class _____ Group _____ Division _____

**AFC Systems for Dry Bulk Solids
 Automated Flexible Conveyor, Inc.**

55 Walman Ave.
 Clifton, NJ 07011, USA

TEL : (800) 694-7271 or (973) 340-1695

FAX : (973) 340-8216

sales@afcsolutions.com

www.afcsolutions.com