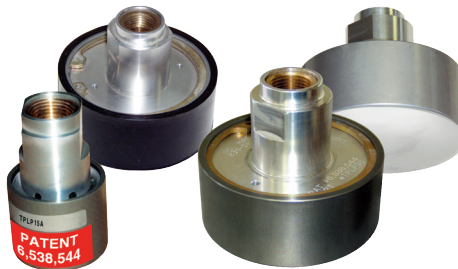


MAGNETS FOR THE STAMPING INDUSTRY



Ideal magnets for stacking/destacking, material handling, press to press transfer systems and scrap removal. Our product line includes lift magnets for end-of-arm tooling, sheet fanners, conveying systems and more.

The patented Transporter® utilizes a powerful, Rare Earth, Permanent Magnet to pick and place sheet metal parts in automated transfer and manually operated material handling applications. Offering more options for pick-up points on stamped, forged and formed parts or complete parts assemblies. Offers increased material handling safety and a significant reduction over vacuum cups in shop air costs.



Tech Sheet AG-01B, AG-01C

Ideal for applications in the Automotive, Appliance and Office Furniture industries, the Transporter® represents a new generation of tooling technology. Available in many standard and custom configurations to best suit the needs of your application.

Choose from our wide array of Transporter® Magnets like our standard TP line, our smaller Low Profile Transporters®, our Permatrol Transporter® with an on/off capability built into a permanent magnet and our new Transporter® MagVac line.

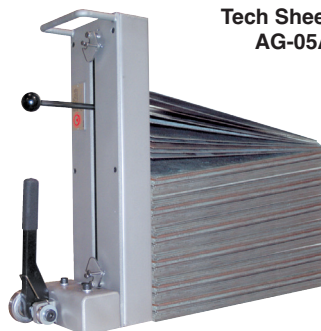


Tech Sheet AG-01E

Our new Transporter® MagVac line utilizes the next-generation technology or combining a magnet with a vacuum cup into one standard product. The difference is the incorporation of vacuum technology, which makes the Transporter MagVac the most universal End-Of-Arm-Tooling available. With part-holding values higher than traditional vacuum, and more efficient and accurate than vacuum or grippers, the Transporter MagVac is the solution that eliminates tool-changeover and costly downtime.

IMI's standard permanent and electromagnetic Sheet Fanners and Separators are designed to separate steel sheet stock.

As sheets are placed against the sheet fanner, the powerful magnetic field automatically forces the sheets apart and separates them from one another. Manually prying apart sticky, oily sheets is no longer necessary and die damaging double blanking problems are eliminated.



Tech Sheet AG-05A

Transporter® Applications & Benefits

- Automated press to press transfer systems
- Robotic "Pick & Place"
- Manual and automated machine loading/unloading
- Outlasts vacuum cups in most applications
- Grasps odd shaped or perforated parts
- Increases production and reduces shop air costs
- Designed for long, maintenance-free operation
- Operates effectively in any orientation
- Will not drop parts if system air-loss occurs
- Destacking (requires proper magnet selection).



Conveying Systems In Permanent Magnet, Electromagnet and Non-Magnetic

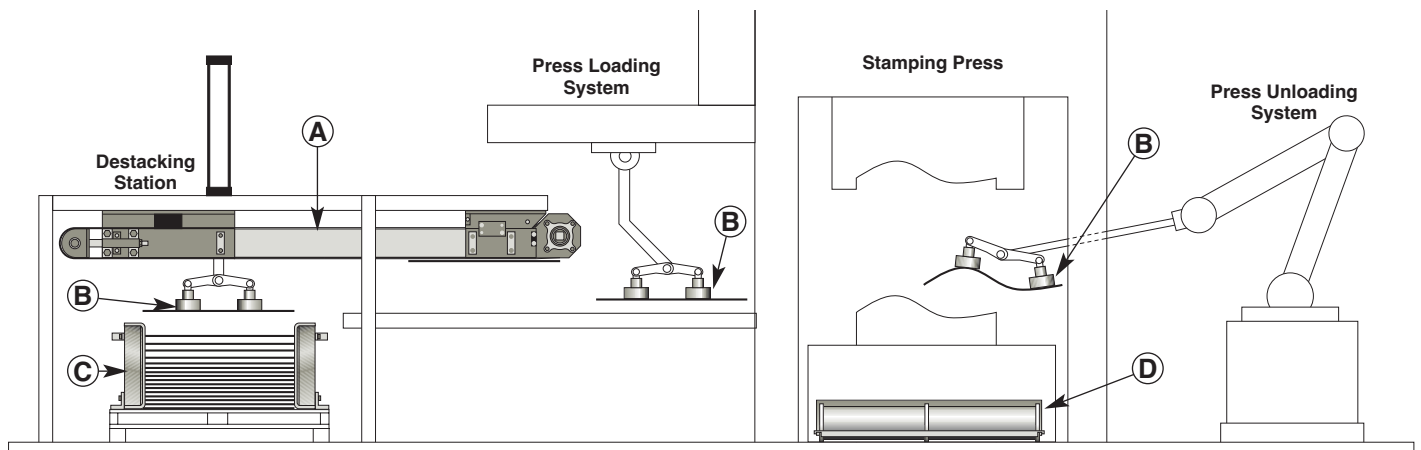


Parts ride on top of a non-magnetic conveyor. Parts ride on the bottom when using a magnetic conveyor. (Tech Sheet AG-08B)



(A) Magnetic Transport Conveyor (B) Permanent Sheet Fanner (C) Bottom of hot water tanks

Typical Stamping Line



(A) Transfer Conveyors - Available in Permanent Magnetic, Electromagnetic and Non-Magnetic Designs.

(B) Transporter™ Magnets - Transporter magnets are permanent magnetic, end of arm tooling devices that operate on air pressure to lift, move and release parts.

(C) Sheet Fanners (Separators) - These magnets are used to separate stacks of sheets or blanks to prevent double blanking.

(D) Press Sweepers - This drum magnet acts like a magnetic broom, sweeping away scrap under blanking and stamping presses.



INDUSTRIAL MAGNETICS, INC.
 1385 M-75 South • Boyne City, MI 49712
 p: 888.582.0823 • f: 231.582.2704
 w: www.magnetics.com • e: imi@magnetics.com