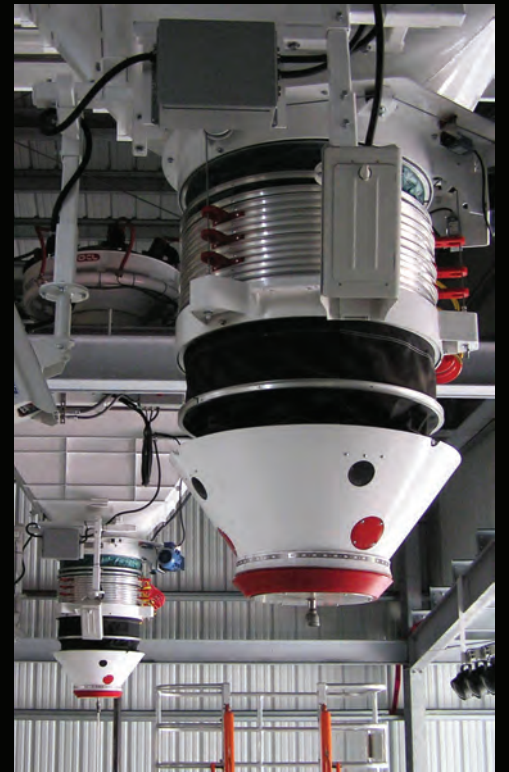
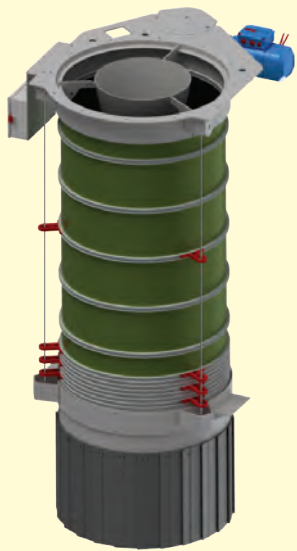




DUST CONTROL AND LOADING SYSTEMS INC.



LOADING SYSTEMS



LOADING SPOUTS

EV enclosed vehicle or OV open vehicle spouts provide excellent dust free loading performance for trucks and rail-cars. DCL has incorporated over 30 years of experience in bulkloading of dry materials into this new service friendly retractable spout design. The low profile feature makes this spout the best choice when faced with limited space conditions. The loading spout has loading capacities of up to 450 cu ft/min and vertical travels ranging from 2 ft to 18 ft. The combination eliminates the need for costly duct work, discharge air locks and hopper discharge systems.



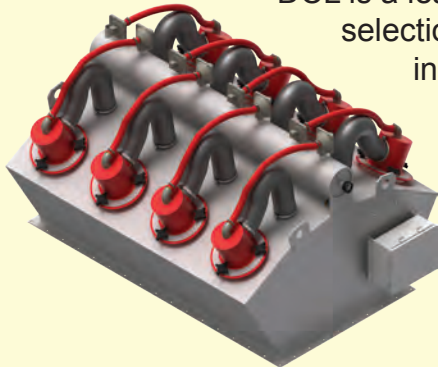
LOADING SPOUT POSITIONERS

Loading spout positioners are used in conjunction with our loading spouts to provide positioning of the spout without the need to respot the vehicle or vessel it is loading. DCL loading spout positioners increase speed and efficiency in any loading operation. A wide variety of positioners are available providing travels from 2 feet to 60 feet.



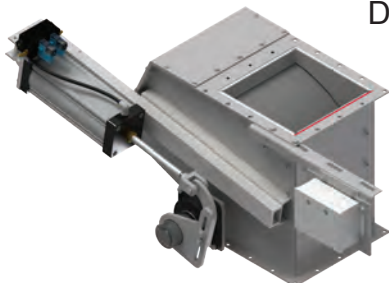
DUST COLLECTION EQUIPMENT

DCL is a leader in innovative dust collection solutions. You'll find a large selection of dust collectors, filter modules and bin vents in a choice of construction materials allowing handling of all types of products, including fine, granular, lumpy, abrasive and corrosive materials. DCL models include our Compact Filter Module, Ventilation Module, and Dust Collector.



FLOW CONTROL VALVES

DCL manufactures a wide array of flow control valves to suit many different dry bulk material handling needs. Our valves include Slide Gate Valves, Curved Blade Valves, Flat Blade Diverter Valves, Curved Blade Diverter Valves, Flat Blade Triverter Valves, Tipping Valves, Coal Valves, and Clam Shell type valves. All of these valves have the option to be powered manually, pneumatically, hydraulically or electrically.



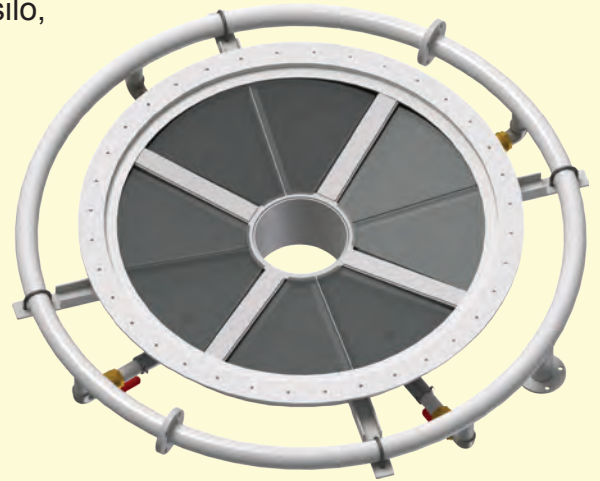
AERATION EQUIPMENT

Complete aeration conveying systems can be provided from the silo, bin, or dome to your loading spout dust free by gravity.



Components include:

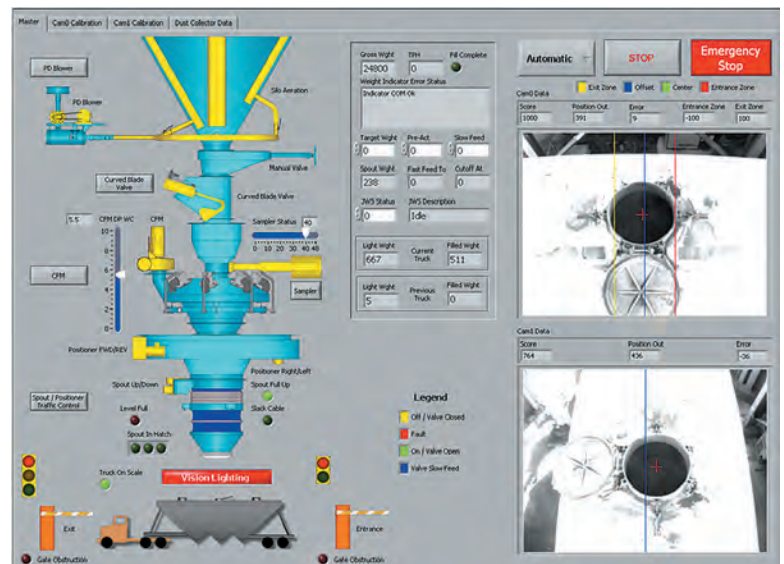
- Airslides
- Lump Traps
- Bin Bottoms
- Aeration Troughs
- Silo Penetration Adaptors
- Flow Control Valves
- Turning Boxes



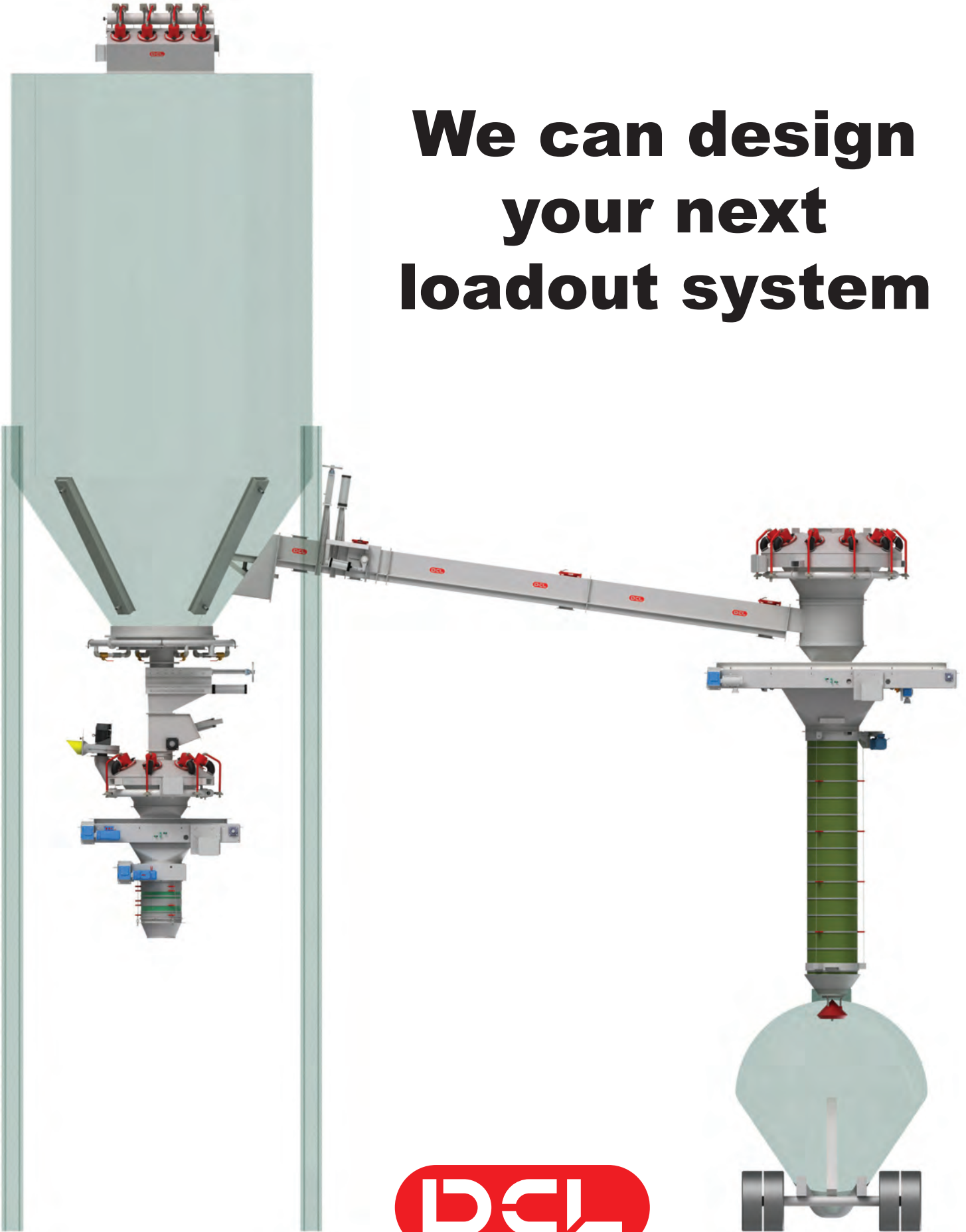
SMART LOADER[®]

VISION SYSTEM

The SmartLoader Vision System increases load out efficiency by minimizing loading cycle times. This is accomplished by scanning the top of the trailer for an open hatch. Once the hatch is identified the driver is instructed to slow down and stop by traffic signals located within the loading bay. The loading spout is then automatically positioned and lowered into the hatch. The dust free loading sequence is initiated and stops when the desired scale weight is reached. The spout is then retracted into the store position and the driver is given the green light to exit the loading bay. The SmartLoader Vision System can be used with any type of DCL spout positioner and can be adapted to work with an existing load out system



**We can design
your next
loadout system**



Let our experience work for you



LOADING SPOUTS

Dry bulk material loading for enclosed or open vehicles.



LOADING SPOUT POSITIONERS

Positions standard duty loading spouts in X and Y axis eliminating the need for truck re-spotting.



AERATION EQUIPMENT

Conveys dry bulk materials from point to point on a downward slope.



SHUT-OFF VALVES

Shut-off material flow from outlets of silos, bins, and other discharge points.



DIVERTER VALVES

Diverts vertical material flow from one inlet to multiple discharges.

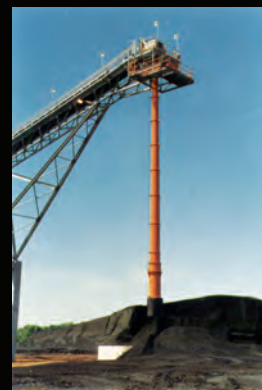
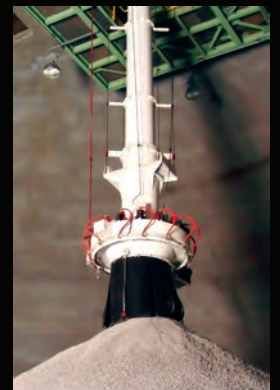
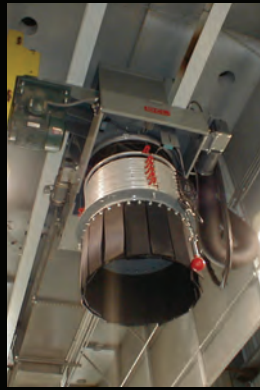


DUST COLLECTION EQUIPMENT

Filters dust from a single or multiple transfer points and collects or discharges particles back into material flow.

DCL, Inc. leads the way in product innovation with a full line of bulk material loading equipment and complete system design. Whether you are looking to load trucks, railcars, ships, barges, drums, bulk bags or stockpiling; DCL can provide the complete system design and equipment to meet emissions standards while keeping the highest possible loading rate available. The development of the SmartLoader, Compact Filter Module, and the upcoming AutoHatch give credibility to DCL's statement of "Load with the Leader".

Load with the Leader



P.O. BOX 125 • CHARLEVOIX, MICHIGAN 49720 • USA
(231) 547-5600 • (800) 748-0563 • WWW.DCLINC.COM