



CHANTLAND

P V S

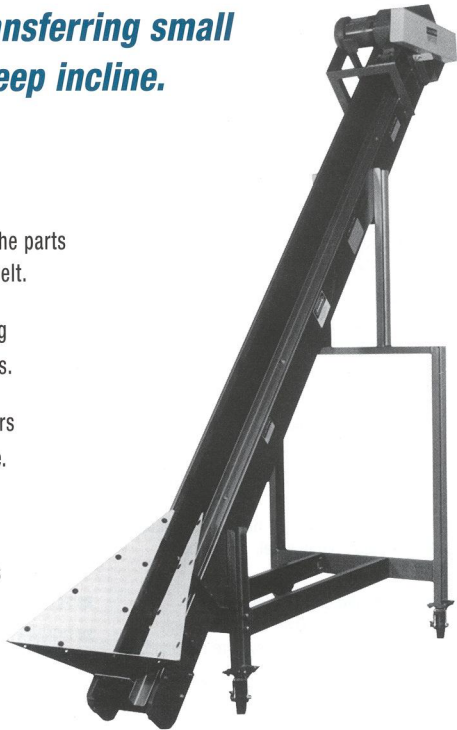
Material Handling Solutions

CRB-SERIES CLEATED BELT INCLINE CONVEYOR

For use in transferring small parts up a steep incline.

DESIGN FEATURES:

- Vertical side boards contain the parts within the cleated conveyor belt.
- Heavy-duty construction using top quality O.E.M. components.
- Cleated belt conveyor transfers small parts up a steep incline.
- Portable or stationary
- Conveyor lengths, belt widths and angle of incline to fit your requirements.

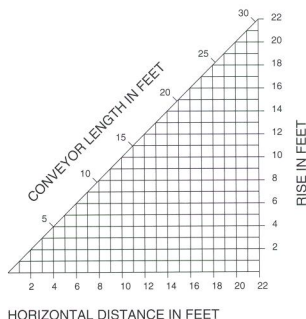
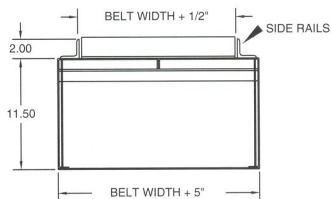
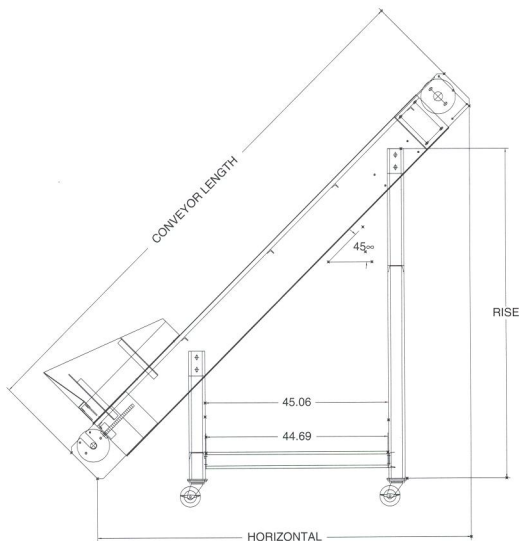


SOLUTIONS

www.chantland.com

PACKERS • CONVEYORS • PALLETIZERS • SYSTEMS

CRB-SERIES CLEATED BELT INCLINE CONVEYOR



STANDARD SPECIFICATIONS:

- **FRAME:** #12 ga formed steel, 12" deep, slider bed, painted standard industrial enamel. Roller bed type will be quoted.
- **PULLEYS:** 6" dia lagged drive pulley on units through 20'-0" is standard. Over 20'-0" through 30'-0", 8" dia is standard. All pulleys are crowned.
- **LAGGING:** all lagging on pulleys is vulcanized to pulley.
- **TAKEUP:** 6" dia pulley, positive crowned, no lagging, screw-type takeup
- **BEARINGS:** all bearings are precision ball bearings
- **DRIVE:** standard C-flange motors either 1-phase or 3-phase as specified. Right angle worm gear reducer with final shielded chain drive.
- **ELECTRICAL:** controls quoted on request
- **CONVEYOR SUPPORTS:** all conveyors are furnished less supports unless specified on order. All supports are fabricated from structural channel with 5", 6" or 8" dia casters.
- **ACCESSORIES:** other accessories can be furnished. See price list.

NOTE: Specifications subject to change without notice.